



6000Vdc Single 1W/2W Watt Dc-Dc Converter



FEATURES:

- 6000Vdc Isolation
- 24PIN DIP Package
- UL94V-0 Package Material
- Unregulated Output Types
- Operating Temperature:-40°C To +85°C
- MTBF:>3,500,000 hrs



Specifications typical at TA=25°C, nominal input voltage and rated output current unless otherwise specified

Part Number	Input Voltage	Output Voltage	Output Current	Efficiency
	Vdc	Vdc	mA	%TYP
18D-05S05NNL	5	5	200	70
18D-05S09NNL	5	9	111	75
18D-05S12NNL	5	12	84	75
18D-05S15NNL	5	15	67	75
18D-12S05NNL	12	5	200	70
18D-12S09NNL	12	9	111	75
18D-12S12NNL	12	12	84	80
18D-12S15NNL	12	15	67	80
18D-05S05N2WNL	5	5	400	75
18D-05S09N2WNL	5	9	222	80
18D-05S12N2WNL	5	12	167	80
18D-05S15N2WNL	5	15	133	80
18D-12S05N2WNL	12	5	400	75
18D-12S09N2WNL	12	9	222	80
18D-12S12N2WNL	12	12	167	85
18D-12S15N2WNL	12	15	137	85

Input Specifications

Parameters	Conditions	Min	Typ	Max	Units
Voltage Types				±10	%
Filter	Capacitor				

Output Specifications

Parameters	Conditions	Min	Typ	Max	Units
Voltage Tolerance				±5	%
Short Circuit Protection	Continuous				
Ripple & Noise	BW=DC To 20MHz			150	mVp-p
Line Regulation	For 1% of Vin		±1.2		%
Load Regulation	5V (20% To 100% F.L)			±15	%
Load Regulation	9V,12V&15V (20% To 100% F.L)			±10	%
Transient response setting time	50% load step change		350		us

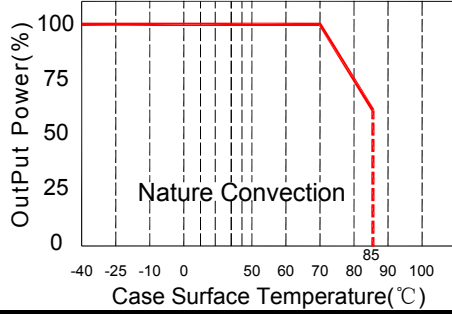
General Specifications

Parameters	Conditions	Min	Typ	Max	Units
Isolation Resistance	500Vdc	1000			MΩ
Switgfrequency			50		KHz
Operating Temperature		-40		+85	°C
Humidity	Non Condensing			95	%
Cooling	Free air Convection				
Case material	DAP				
Weight			9.5		g
Dimensions			32.3x14.72x9.4		mm

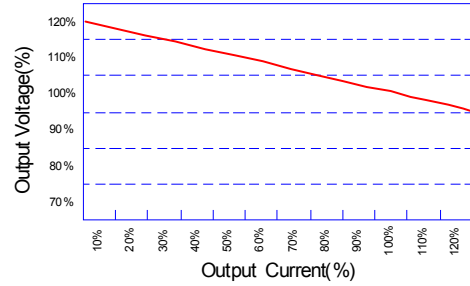


6000Vdc Single 1W/2W Watt Dc-Dc Converter

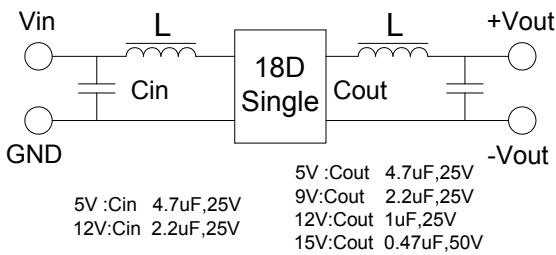
Temperature Derating Graph



Tolerance Envelope Graph



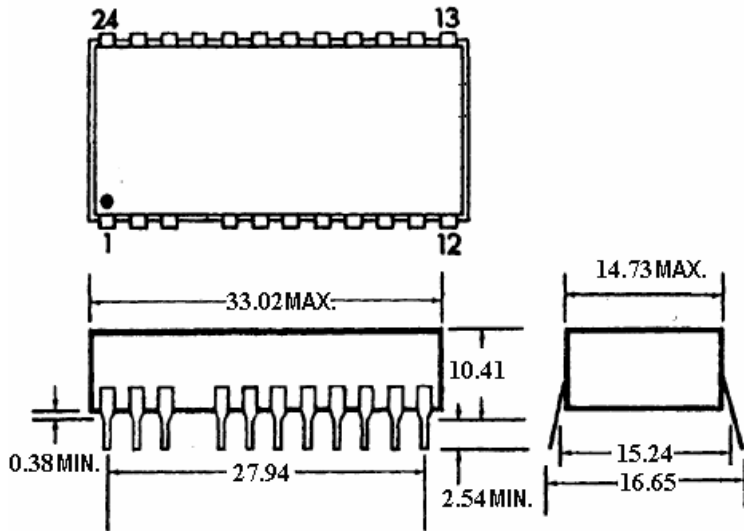
Recommended Test Circuit



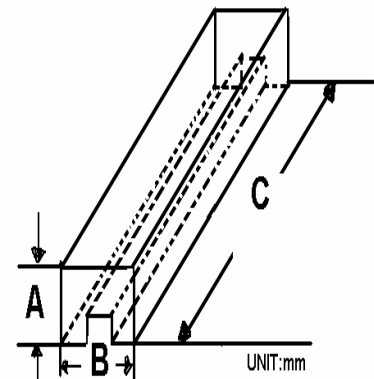
Part Number

18D - 05 S 05 N 2W NL
 A B C D E F G
 A:Series
 B:Input Voltage
 C:Single(S)
 D:Output Voltage
 E:Unregulated(N)
 F:Output Power
 G:RoHS Version

Markings and dimensions



Packaging



Size(mm)		
A	B	C
13.23	12.30	530

Unit:mm Unless otherwise specified,all tolerances are ±0.25

PIN Connection

PIN	1	2	8,17	10,15	12,13
Single	+Vin	-Vin	NC	-Vout	+Vout