

## 40Watt,Dual/Triple Output,AC-DC Open Frame Converter



### FEATURES:

- Universal Input 90~264VAC
- Efficiency at 75% Typical
- 2"x4" Footprint
- Conductive EMI Meets CISPR/FCC Class B



Specifications typical at TA=25°C, nominal input voltage and rated output current unless otherwise specified

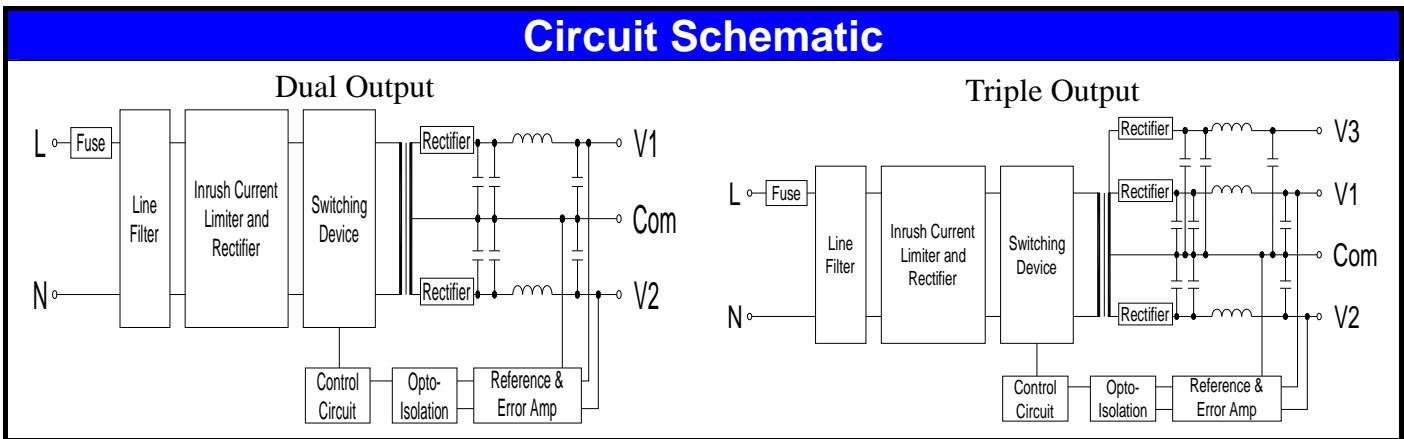
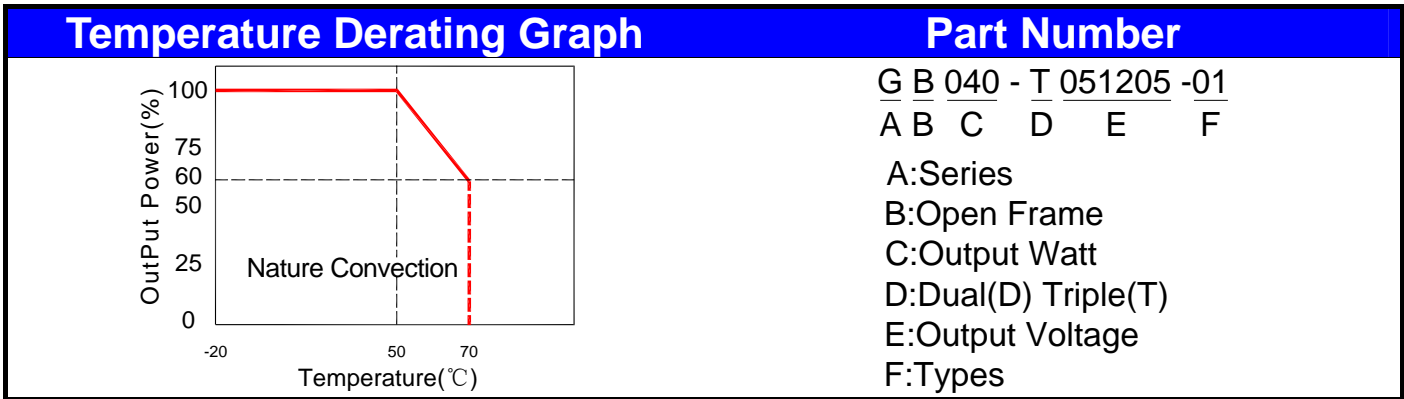
Part Number	Output Voltage	Output Current (A)			Voltage Accuracy	Line Reg.	Load Reg.	Efficiency
	(V)	MIN	RATED	MAX	(%)	(%)	(%)	(%)
GB040-D0512-01	5(V1)	0.4	3.2	5.0	±5	±1	±3	77
	12(V2)	0.2	2.0	2.5	±5	±2	±5	
GB040-D0524-01	5(V1)	0.4	3.2	5.0	±5	±1	±3	78
	24(V2)	0.2	1.0	1.5	±5	±2	±5	
GB040-T051205-01	5(V1)	0.4	3.0	5.0	±5	±1	±3	75
	12(V2)	0.2	2.0	2.5	±5	±2	±5	
	-5(V3)	0	0.3	0.5	±5	±1	±1	
GB040-T051212-01	5(V1)	0.4	3.0	5.0	±5	±1	±3	75
	12(V2)	0.2	2.0	2.5	±5	±2	±5	
	-12(V3)	0	0.3	0.5	±5	±1	±1	
GB040-T051515-01	5(V1)	0.4	3.0	5.0	±5	±1	±3	75
	15(V2)	0.2	2.0	2.5	±5	±2	±5	
	-15(V3)	0	0.3	0.5	±5	±1	±1	
GB040-T052412-01	5(V1)	0.4	3.0	5.0	±5	±1	±3	75
	24(V2)	0.2	2.0	2.5	±5	±2	±5	
	-12(V3)	0	0.3	0.5	±5	±1	±1	
GB040-T052405-01	5(V1)	0.4	3.0	5.0	±5	±1	±3	75
	24(V2)	0.2	1.0	1.5	±5	±2	±5	
	-5(V3)	0	0.3	0.5	±5	±1	±1	
GB040-T0524P12-01	5(V1)	0.4	3.0	5.0	±5	±1	±3	75
	24(V2)	0.2	1.0	1.5	±5	±2	±5	
	12(V3)	0	0.3	0.5	±5	±1	±1	
GB040-T030512-01	3.3(V1)	0.4	5.0	7.0	±5	±1	±3	70
	5(V2)	0.2	2.0	3.5	±5	±2	±5	
	-12(V3)	0	0.3	0.5	±5	±1	±1	

### Input Specifications

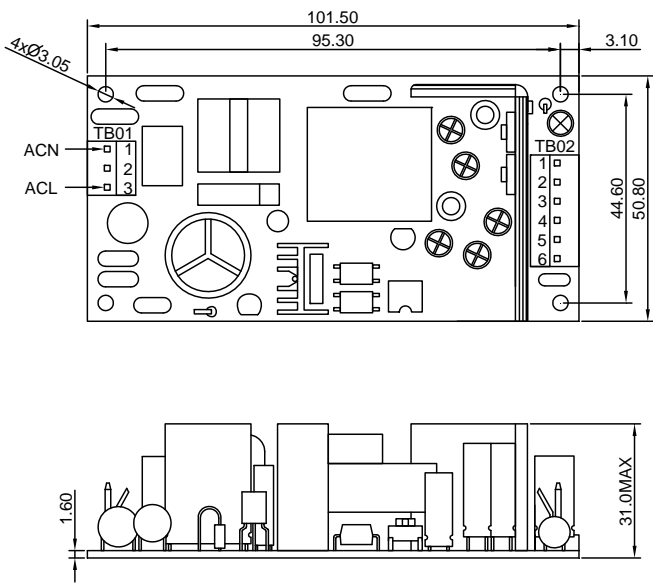
Parameters	Conditions	Min	Typ	Max	Units
Voltage Range			90~264		Vac
Frequency		47		63	Hz
Inrush Current	264Vac			50	A
Input Current	115Vac			1	A
Conducted EMI		CISPR/FCC Class B			
Isolation	Input To Output			4242	Vdc
Leakage Current				5	mA

### Output Specifications

Parameters	Conditions	Min	Typ	Max	Units
Hold-up Time	115Vac		20		mS
Short Circuit/Over Load Protection	On All Output(Auto Recovery)				
Over Voltage Protection	3.6~4.6V/5.7~6.7V on V1(3.3V/5V) 120%~140% on V2(12V/15V/24V)				
Operating Temperature		-20		+70	°C
Storage Temperature		-45		+85	°C
Adjustment Range			±10		%
Ripplr & Noise	20MHz B.W.		150		mVp-p



**Markings and dimensions**



TB01	Model
PIN	Dual/Triple OUTPUT
1	ACN
2	No Pin
3	ACL
TB02	
1	V2
2	V1
3	V1
4	COM
5	COM
6	V3

Unit: mm Unless otherwise specified, all tolerances are  $\pm 0.50$