

7Watt, Single & Dual Output ,AC/DC Power Module Converter



FEATURES:

- Universal Input 90~264VAC
- High Efficiency Up To 82%
- Protection: Short Circuit /Overload/Over Voltage
- Fully Encapsulated Plastic Case
- Internal Input Filter
- 2 Years Warranty ● ROHS Compliant

G A 007 - S 03
A B C D E

A:Series
B:Package
C:Output Watt
D:Single(S) Dual(D)
E:Output Voltage

Part Number	Output Wattage (W)	Output Voltage (VDC)	Output Current (mA)	Ripple & Noise (mV) max(Note)	Efficiency (TYP %)
GA007-S03	6.6	3.3	2000	100	72
GA007-S05	7.5	5	1500	100	73
GA007-S12	7.5	12	625	100	76
GA007-S15	7.5	15	500	150	78
GA007-S24	7.5	24	320	150	79
GA007-S48	7.5	48	160	240	82
GA007-D05	7.0	±5	±700	100	70
GA007-D12	7.2	±12	±300	100	74
GA007-D15	7.5	±15	±250	150	75
GA007-D24	7.5	±24	±160	150	77
GA007-D0512	7.0	Vo1=+5,Vo2=+12	Io1=800,Io2=250	100(Vo1) 150(Vo2)	74
GA007-D0515	7.0	Vo1=+5,Vo2=+15	Io1=800,Io2=200		74
GA007-D0524	7.0	Vo1=+5,Vo2=+24	Io1=800,Io2=125		75

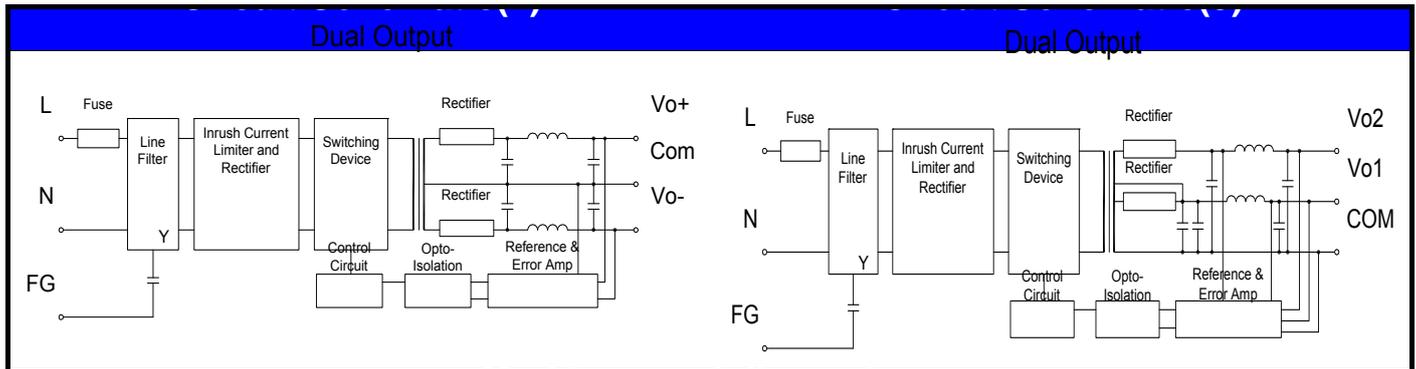
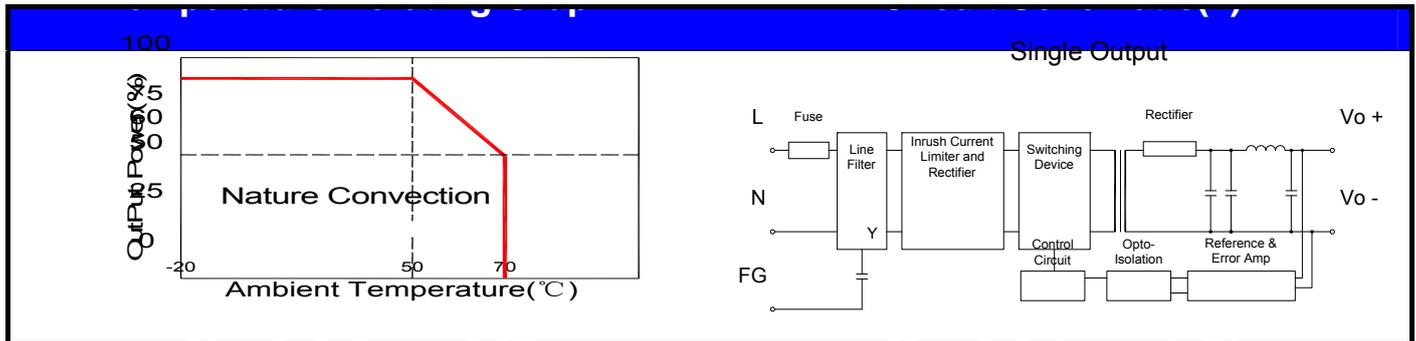
Parameters	Conditions	Min	Typ	Max	Units
Rated Input Voltage	Vo,lo nom		100~240		Vac
Voltage Range	Vo,lo nom AC in	90		264	Vac
	DC in	120		370	Vdc
Line frequency	Vi nom,lo nom	47	50/60	63	Hz
Inrush Current	lo nom Vi:115VAC			10	A
	Vi:230VAC			20	A
Input Fuse	VDE/UL/CCC FUSE	2.5A/250V (Slow blow)			

Parameters	Conditions	Min	Typ	Max	Units
Output Voltage Accuracy	Vi nom,lo nom 3.3V,5V Models (Single output)			±3	%
	12...48V Models			±2	%
	Dual Output			±5	%
Minimum Load	Vi Single Output Models	0			%
	nom Dual Output Models(each output)	20			%
Line Regulation	lo nom,Vi min...Vi max		±1		%
Load Regulation	lo min~ Single Output Models		±2		%
	lo nom Dual Output Models		±5		%
Transient Recovery time	Vi nom,lo nom = ←→0.5 lo nom		1,000		uS
Protection	Overload	Above 110% rated output power			
	Short circuit	Protection type: Recovers automatically after fault condition is removed			
		Recovers automatically after fault condition is removed			
	Over Voltage(Main Output)	120%-150% rated output Voltage			
Protection type: Zener diode clamp					

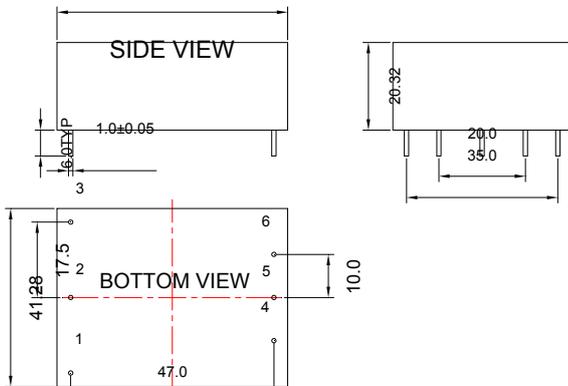
Note. Ripple & noise is measured by using 20 MHz bandwidth, measured with a 47uf paralleled with a high-frequency 0.47uf capacitor across each output by full load.

7Watt, Single & Dual Output ,AC/DC Power Module Converter

Parameters	Conditions	Min	Typ	Max	Units
Switching Frequency	Vi nom,lo nom		65		KHz
Isolation Voltage	Input / Output	3KVac/ 5mA/5Secs			
Isolation Resistance	Input / Output,@500 Vdc	100			MΩ
Operating Temperature	Operating at Vi nom,lo nom	-20		+70	°C
Derating	Vi nom,lo nom+51 to 71°C			2	%/°C
Storage Temperature	Non Operational	-40		+85	°C
Relative Humidity	Vi nom,lo nom			95	% RH
Dimension		L53.34x W41.28 x H20.32mm L2.1x W1.63 x H0.8 inches			
Cooling	Free air convection				



53.34



Unit:mm Unless otherwise specified, all tolerances are ±0.50

PIN	Model		
	Single	Dual	Dual
1	FG	FG	FG
2	ACN	ACN	ACN
3	ACL	ACL	ACL
4	-Vo	-Vo	+Vo2
5	NO PIN	Com	Com
6	+Vo	+Vo	+Vo1