

10Watt, Single & Dual Output ,AC/DC Power Module Converter



FEATURES:

- Universal Input 90~264VAC
- High Efficiency Up To 82%
- Protection: Short Circuit /Overload/Over Voltage
- Fully Encapsulated Plastic Case
- Internal Input Filter
- 2 Years Warranty ● ROHS Compliant

G A 010 - S 03
 A B C D E

A:Series
 B:Package
 C:Output Watt
 D:Single(S) Dual(D)
 E:Output Voltage

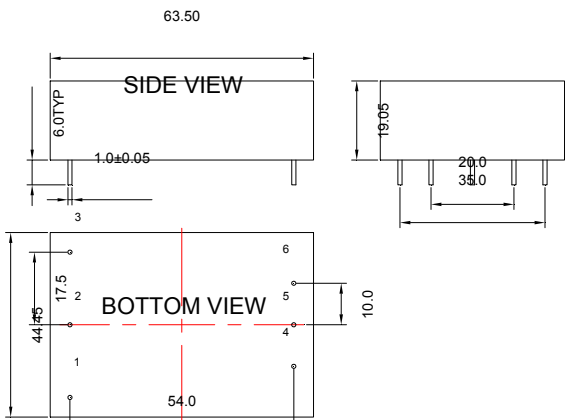
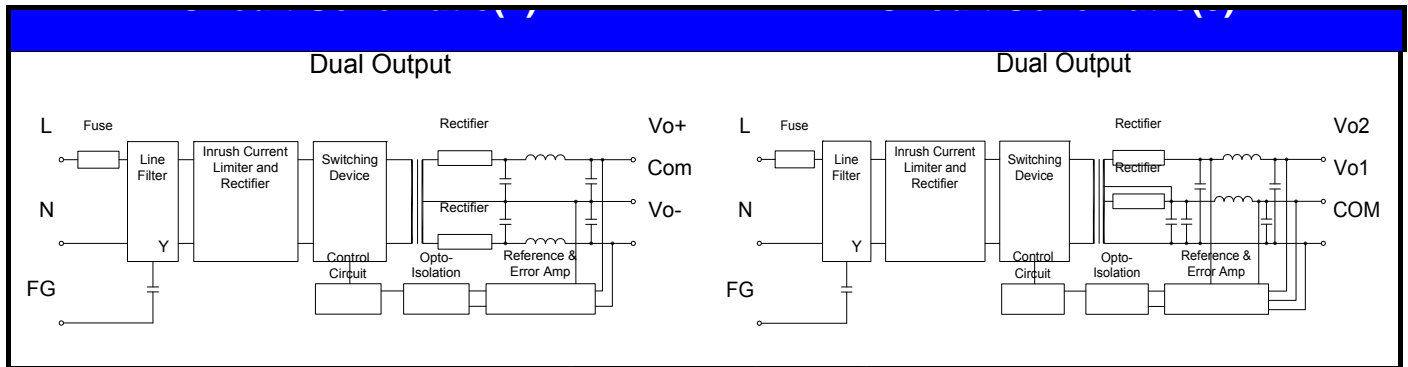
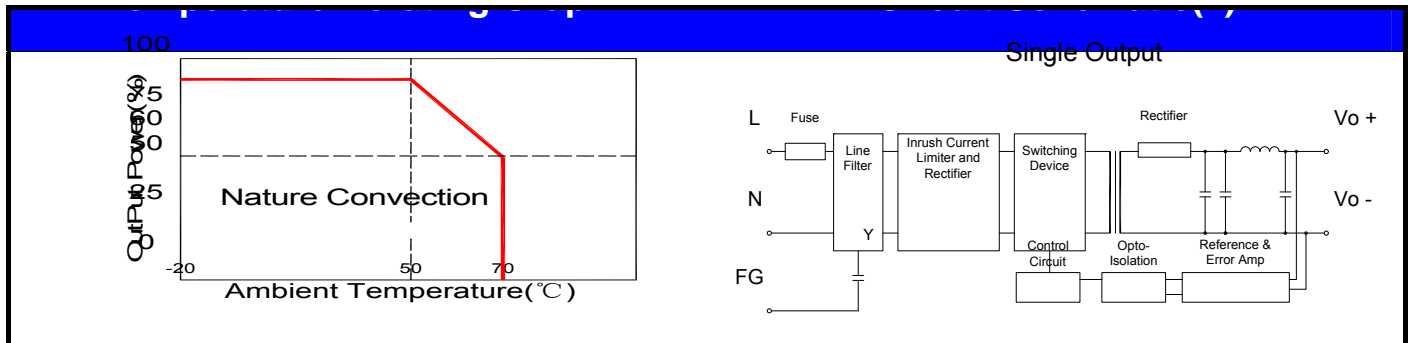
Part Number	Output Wattage (W)	Output Voltage (VDC)	Output Current (mA)	Ripple & Noise (mV) max(Note)	Efficiency (TYP %)
GA010-S03	10.0	3.3	3000	100	70
GA010-S05	10.0	5	2000	100	73
GA010-S12	10.8	12	900	100	78
GA010-S15	10.5	15	700	150	78
GA010-S24	10.8	24	450	150	80
GA010-S48	10.8	48	225	240	82
GA010-D05	10.0	±5	±1000	100	70
GA010-D12	10.8	±12	±450	150	74
GA010-D15	10.5	±15	±350	150	75
GA010-D24	10.8	±24	±225	150	77
GA010-D0512	10.0	Vo1=+5,Vo2=+12	Io1=1500,Io2=200	100(Vo1) 150(Vo2)	74
GA010-D0515	10.0	Vo1=+5,Vo2=+15	Io1=1400,Io2=200		74
GA010-D0524	10.0	Vo1=+5,Vo2=+24	Io1=1200,Io2=200		75

Parameters	Conditions	Min	Typ	Max	Units
Rated Input Voltage	Vo,Io nom		100~240		Vac
Voltage Range	Vo,Io nom	AC in	90	264	Vac
		DC in	120	370	Vdc
Line frequency	Vi nom,Io nom	47	50/60	63	Hz
Inrush Current	Io nom	Vi:115VAC		10	A
		Vi:230VAC		20	A
Input Fuse		VDE/UL/CCC FUSE	2.5A/250V (Slow blow)		

Parameters	Conditions	Min	Typ	Max	Units
Output Voltage Accuracy	Vi nom,Io nom 3.3V,5V Models			±3	%
	(Single output) 12...48V Models			±2	%
	Dual Output			±5	%
Minimum Load	Vi Single Output Models	0			%
	nom Dual Output Models(each output)	20			%
Line Regulation	Io nom,Vi min...Vi max		±1		%
Load Regulation	Io min~ Single Output Models		±2		%
	Io nom Dual Output Models		±5		%
Transient Recovery time	Vi nom,Io nom = ←→0.5 Io nom		1,000		µS
Protection	Overload	Above 110% rated output power			
	Short circuit	Protection type: Recovers automatically after fault condition is removed			
	Over Voltage(Main Output)	120%-150% rated output Voltage			
		Protection type: Zener diode clamp			

Note . Ripple & noise is measured by using 20 MHz bandwidth, measured with a 47uf paralleled with a high-frequency 0.47uf capacitor across each output by full load.

Parameters	Conditions	Min	Typ	Max	Units
Switching Frequency	Vi nom, lo nom		65		KHz
Isolation Voltage	Input / Output	3KVac/ 5mA/5Secs			
Isolation Resistance	Input / Output,@500 Vdc	100			MΩ
Operating Temperature	Operating at Vi nom, lo nom	-20		+70	°C
Derating	Vi nom, lo nom+51 to 71°C			2	%/°C
Storage Temperature	Non Operational	-40		+85	°C
Relative Humidity	Vi nom, lo nom			95	% RH
Dimension		L63.50x W44.45 x H19.05mm	L2.5x W1.75 x H0.75	inches	
Cooling	Free air convection				



Unit: mm Unless otherwise specified, all tolerances are ± 0.50

PIN	Model		
	Single	Dual	Dual
1	FG	FG	FG
2	ACN	ACN	ACN
3	ACL	ACL	ACL
4	-Vo	-Vo	+Vo2
5	NO PIN	COM	COM
6	+Vo	+Vo	+Vo1