

25Watt, Single & Dual Output ,AC/DC Power Module Converter



Specifications typical at TA=

FEATURES:

- Universal Input 90~264VAC
- High Efficiency Up To 85%
- Protection: Short Circuit /Overload/Over Voltage
- Fully Encapsulated Plastic Case
- Internal Input Filter
- 2 Years Warranty ● ROHS Compliant

G A 025 - S 03
A B C D E

A:Series
B:Package
C:Output Watt
D:Single(S) Dual(D)
E:Output Voltage

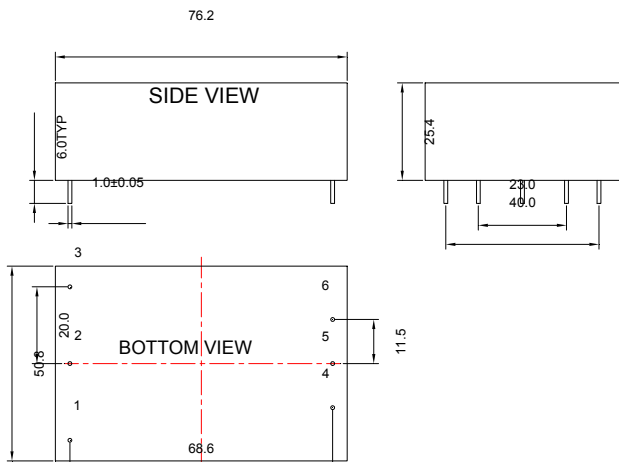
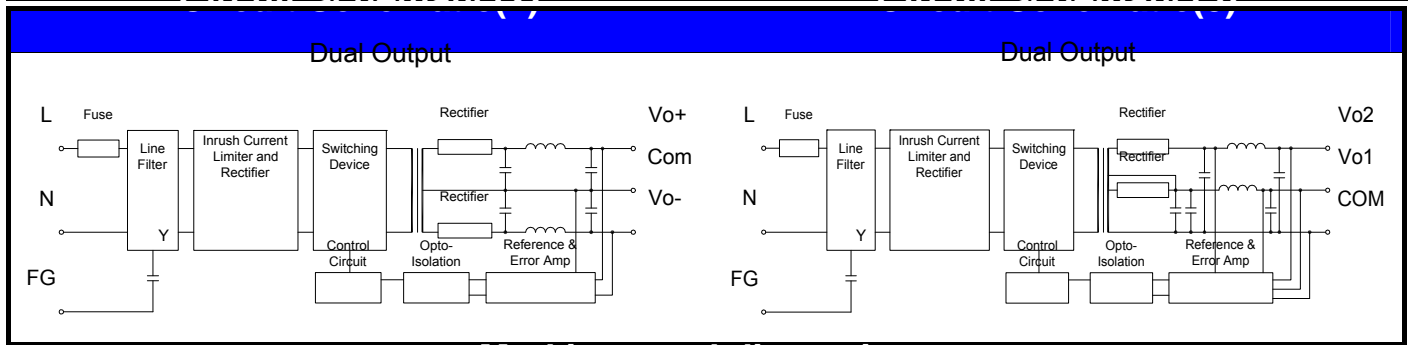
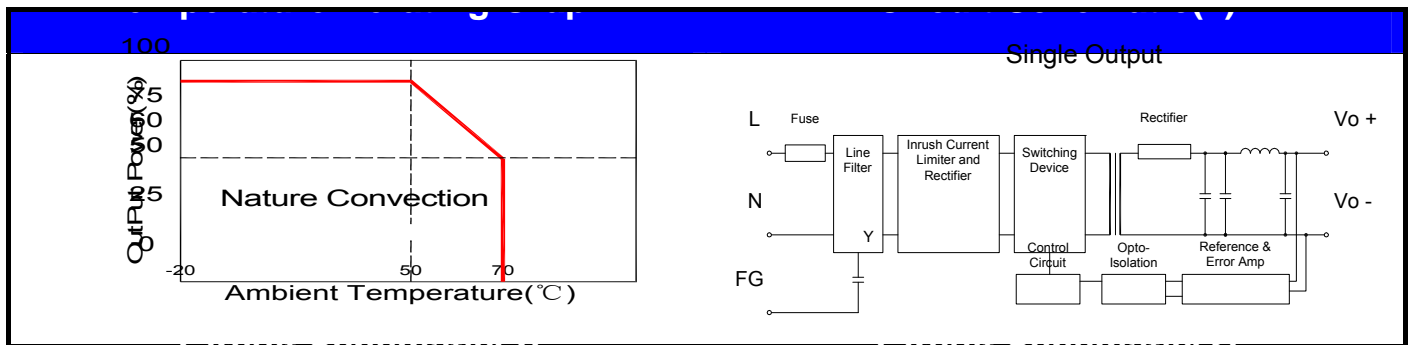
Part Number	Output Wattage (W)	Output Voltage (VDC)	Output Current (mA)	Ripple & Noise (mV) max(Note)	Efficiency (TYP %)
GA025-S03	16.5	3.3	5000	100	74
GA025-S05	20.0	5	4000	100	78
GA025-S12	25.0	12	2100	100	80
GA025-S15	25.0	15	1700	150	82
GA025-S24	24.0	24	1000	150	83
GA025-S48	25.0	48	520	240	85
GA025-D05	25.0	±5	±2500	100	75
GA025-D12	24.0	±12	±1000	150	79
GA025-D15	24.0	±15	±800	150	80
GA025-D24	24.0	±24	±500	150	80
GA025-D0512	24.0	Vo1=+5,Vo2=+12	Io1=2400,Io2=1000	100(Vo1) 150(Vo2)	76
GA025-D0515	24.0	Vo1=+5,Vo2=+15	Io1=2400,Io2=800		76
GA025-D0524	24.0	Vo1=+5,Vo2=+24	Io1=2400,Io2=500		78

Parameters	Conditions	Min	Typ	Max	Units
Rated Input Voltage	Vo,Io nom		100~240		Vac
Voltage Range	Vo,Io nom	AC in	90	264	Vac
		DC in	120	370	Vdc
Line frequency	Vi nom, Ionom	47	50/60	63	Hz
Inrush Current	Io nom	Vi:115VAC		12	A
		Vi:230VAC		20	A
Input Fuse	VDE/UL/CCC FUSE 2.5A/250V (Slow blow)				

Parameters	Conditions	Min	Typ	Max	Units
Output Voltage Accuracy	Vi nom, Io nom			±3	%
	(Single output)	3.3V,5V Models			
		12...48V Models			±2
Minimum Load	Vi	0			%
	Io nom	Dual Output Models(each output)	20		%
Line Regulation	Io nom, Vi min...Vi max		±1		%
Load Regulation	Io min~	Single Output Models		±2	%
	Io nom	Dual Output Models		±5	%
Transient Recovery time	Vi nom, Io nom = ←→0.5 Io nom		1,000		uS
Protection	Overload Above 110% rated output power				
	Short circuit Protection type: Recovers automatically after fault condition is removed				
	Over Voltage(Main Output) Recovers automatically after fault condition is removed				
	120%-150% rated output Voltage Protection type: Zener diode clamp				

Note. Ripple & noise is measured by using 20 MHz bandwidth, measured with a 47uf paralleled with a high-frequency 0.47uf capacitor across each output by full load.

Parameters	Conditions	Min	Typ	Max	Units
Switching Frequency	Vi nom, Io nom		65		KHz
Isolation Voltage	Input / Output	3KVac/ 5mA/5Secs			
Isolation Resistance	Input / Output, @500 Vdc	100			MΩ
Operating Temperature	Operating at Vi nom, Io nom	-20		+70	°C
Derating	Vi nom, Io nom +51 to 71 °C			2	%/°C
Storage Temperature	Non Operational	-40		+85	°C
Relative Humidity	Vi nom, Io nom			95	% RH
Dimension		L76.2x W50.8 x H25.4mm L3.0x W2.0 x H1.0 inches			
Cooling	Free air convection				



PIN	Model		
	Single	Dual	Dual
1	FG	FG	FG
2	ACN	ACN	ACN
3	ACL	ACL	ACL
4	-Vo	-Vo	+Vo2
5	NO PIN	Com	Com
6	+Vo	+Vo	+Vo1

Unit: mm Unless otherwise specified, all tolerances are ±0.50