

## Features

- Extremely wide operating input voltage ranges from 8 to 385 VDC and 85 to 264 VAC, 47 to 440 Hz
- RoHS lead-solder exemption compliant
- Class I equipment
- Input over- and undervoltage lockout
- 1, 2, or 3 individually isolated and controlled outputs up to 64 V
- Outputs: SELV, no load, overload, short-circuit proof, rectangular current limiting characteristic
- Adjustable output voltages with remote on/off
- Immunity according to IEC/EN 61000-4-2, -3, -4, -5, -6
- Emissions according to EN 55011/55022
- PCBs protected by lacquer
- Very high reliability
- Battery charger models available

Safety according to IEC/EN 60950-1 and UL/CSA 60950-1



## Description

The M Series of DC-DC and AC-DC converters represents a broad and flexible range of power supplies for use in advanced industrial electronic systems. Features include high efficiency, reliability, low output voltage noise and excellent dynamic response to load/line changes due to individual regulation of each output.

The converter inputs are protected against surges and transients occurring at the source lines. An input over- and undervoltage lockout circuit disables the outputs, if the input voltage is outside the specified range. An inrush current limitation prevents circuit breakers and fuses from tripping at switch-on.

All outputs are open- and short-circuit proof, and are protected against overvoltages by means of built-in suppressor diodes. The outputs can be inhibited by a logic signal applied to the connector (pin 2). If the inhibit function is not used, pin 2 should be connected to pin 23 to enable the outputs.

LED indicators display the status of the converter and allow visual monitoring of the system at any time.

Full input to output, input to case, output to case, and output to output isolation is provided. The converters are designed and built according to the international safety standard IEC/EN 60950-1 and UL/CSA 60950-1, and they have been approved by the safety agencies TÜV and UL.

The case design allows operation at nominal load up to 71 °C in a free-air ambient temperature. If forced cooling is provided, the ambient temperature may exceed 71 °C but the case temperature should remain below 95 °C under all conditions.

A temperature sensor generates an inhibit signal, which disables the outputs, when the case temperature  $T_C$  exceeds the limit. The outputs automatically recover, when the temperature drops below the limit.

Various options are available to adapt the converters to individual applications.

The converters may either be plugged into a 19" rack system according to IEC 60927-3 or be mounted onto a chassis or a plate.

## Table of Contents

	Page		Page
Description .....	1	Immunity to Environmental Conditions .....	15
Model Selection .....	2	Mechanical Data .....	16
Functional Description .....	4	Safety and Installation Instructions .....	17
Electrical Input Data .....	5	Description of Options .....	19
Electrical Output Data .....	7	Accessories .....	25
Auxiliary Functions .....	10	EC Declaration of Conformity .....	26
Electromagnetic Compatibility (EMC) .....	13		

### Model Selection

Non-standard input/output configurations or special custom adaptations are available on request. Table 1 provides an overview of the basic input and output configurations. More

than 1000 different types have been manufactured with different input/output configurations and customized specialities. Please consult Power-One for additional information.

Table 1a: Standard models AM, BM, FM

Output 1		Output 2		Output 3		Operating input voltage range and efficiency <sup>1</sup>					Options <sup>3</sup>	
V <sub>O nom</sub> [VDC]	I <sub>O nom</sub> [A]	V <sub>O nom</sub> [VDC]	I <sub>O nom</sub> [A]	V <sub>nom</sub> [VDC]	I <sub>nom</sub> [A]	V <sub>i min</sub> – V <sub>i max</sub> 8 – 35 VDC	η <sub>min</sub> [%]	V <sub>i min</sub> – V <sub>i max</sub> 14 – 70 VDC	η <sub>min</sub> [%]	V <sub>i min</sub> – V <sub>i max</sub> 20 – 100 VDC		η <sub>min</sub> [%]
5.1	8.0	-	-	-	-	AM1001-9R	72	BM1001-9R	74	FM1001-9R	74	-7, A, F, H P, D0 – D9 V0 – V3 <sup>3</sup>
12.0	4.0	-	-	-	-	AM1301-9R	79	BM1301-9R	80	FM1301-9R	80	
15.0	3.4	-	-	-	-	AM1501-9R	79	BM1501-9R	81	FM1501-9R	81	
24.0	2.0	-	-	-	-	AM1601-9R	81	BM1601-9R	83	FM1601-9R	82	
48.0	1.0	-	-	-	-	AM1901-9R	81	BM1901-9R	83	FM1901-9R	83	
12.0	2.0	12.0	2.0	-	-	AM2320-9	77	BM2320-9	79	FM2320-9	80	-7, A, F, H P, D0 – D9
15.0	1.7	15.0	1.7	-	-	AM2540-9	78	BM2540-9	80	FM2540-9	79	
5.1	5.0	12.0	0.7	12.0	0.7	AM3020-9	75	BM3020-9	76	FM3020-9	76	-7, A, F, H D0 – D9 V0 – V3 <sup>3</sup>
5.1	5.0	15.0	0.6	15.0	0.6	AM3040-9	75	BM3040-9	76	FM3040-9	76	

Table 1b: Standard models CM, DM, LM

Output 1		Output 2		Output 3		Operating input voltage range and efficiency <sup>1</sup>					Options <sup>3</sup>	
V <sub>O nom</sub> [VDC]	I <sub>O nom</sub> [A]	V <sub>O nom</sub> [VDC]	I <sub>O nom</sub> [A]	V <sub>nom</sub> [VDC]	I <sub>nom</sub> [A]	V <sub>i min</sub> – V <sub>i max</sub> 28 – 140 VDC	η <sub>min</sub> [%]	V <sub>i min</sub> – V <sub>i max</sub> 44 – 220 VDC	η <sub>min</sub> [%]	V <sub>i min</sub> – V <sub>i max</sub> 88 – 372 VDC 85 – 264 VAC <sup>2</sup>		η <sub>min</sub> [%]
5.1	8.0	-	-	-	-	CM1001-9R	74	DM1001-9R	74	LM1001-9R	73	-7, E, A, F, H P, D0 – D9 V0 – V3 <sup>3</sup>
12.0	4.0	-	-	-	-	CM1301-9R	80	DM1301-9R	81	LM1301-9R	79	
15.0	3.4	-	-	-	-	CM1501-9R	82	DM1501-9R	82	LM1501-9R	78	
24.0	2.0	-	-	-	-	CM1601-9R	82	DM1601-9R	83	LM1601-9R	81	
48.0	1.0	-	-	-	-	CM1901-9R	82	DM1901-9R	83	LM1901-9R	81	
12.0	2.0	12.0	2.0	-	-	CM2320-9	79	DM2320-9	80	LM2320-9	77	-7, E, A, F, H P, D0 – D9
15.0	1.7	15.0	1.7	-	-	CM2540-9	80	DM2540-9	80	LM2540-9	78	
5.1	5.0	12.0	0.7	12.0	0.7	CM3020-9	76	DM3020-9	77	LM3020-9	73	-7, E, A, F, H D0 – D9 V0 – V3 <sup>3</sup>
5.1	5.0	15.0	0.6	15.0	0.6	CM3040-9	76	DM3040-9	76	LM3040-9	71	

Table 1c: EM and battery charger models

Output 1		Output 2		Output 3		Operating input voltage range and efficiency <sup>1</sup>					Options <sup>3</sup>	
V <sub>O Bat</sub> <sup>6</sup> [VDC]	I <sub>O nom</sub> [A]	V <sub>O safe</sub> <sup>5</sup> [VDC]	V <sub>O max</sub> [VDC]	V <sub>O nom</sub> [VDC]	I <sub>O nom</sub> [A]	V <sub>O nom</sub> [VDC]	I <sub>O nom</sub> [A]	V <sub>i min</sub> – V <sub>i max</sub> 67 – 385 VDC	η <sub>min</sub> [%]	V <sub>i min</sub> – V <sub>i max</sub> 88 – 372 VDC 85 – 264 VAC <sup>2</sup>		η <sub>min</sub> [%]
Same V <sub>O nom</sub> and I <sub>O nom</sub> DM models	-	-	-	-	-	-	-	EM1xxx-9R <sup>3</sup>	-	-	-	same as DM models <sup>3</sup>
				same as DM models		same as DM models		EM2xxx-9R <sup>3</sup>				
				same as DM models		same as DM models		EM3xxx-9R <sup>3</sup>				
12	3.6	12.84	14.15 – 14.6	-	-	-	-	-	-	LM1781-9RD5	79	-7, E, F, A
24	1.8	25.68	28.3 – 29.15	-	-	-	-	-	-	LM1782-9RD5	81	
36	1.2	38.52	42.45 – 43.72	-	-	-	-	-	-	LM1783-9RD5	82	
48	0.9	51.36	56.6 – 58.3	-	-	-	-	-	-	LM1784-9RD5	81	
60	0.72	64.2	70.75 – 72.87	-	-	-	-	-	-	LM1785-9RD5	81	

<sup>1</sup> Min. efficiency at V<sub>i nom</sub> and I<sub>O nom</sub>. Typ. values are approx. 2% better.

<sup>2</sup> Frequency range: 47 – 440 Hz

<sup>3</sup> Ask Power-One for availability!

<sup>4</sup> Option V0, V2, V3 available only for output 1 = 5.1 V (excludes option R)

<sup>5</sup> Setting voltage with open R-input (battery chargers)

<sup>6</sup> V<sub>O nom</sub> for EM models

**Part Number Description**

	C	M	2	5	40	-9	E	P	D3	A	H	F
Operating input range $V_i$ :												
8 – 35 VDC .....		A										
14 – 70 VDC .....		B										
20 – 100 VDC .....		F										
28 – 140 VDC .....		C										
44 – 220 VDC .....		D										
67 – 385 VDC .....		E										
85 – 264 VAC, 88 – 372 VDC .....		L										
Series .....		M										
Number of outputs .....			1, 2, 3									
Output 1, $V_{o1\text{ nom}}$ :												
5.1 V .....			0, 1, 2									
12 V .....			3									
15 V .....			4, 5									
24 V .....			6									
other voltages .....			7, 8									
48 V .....			9									
Single-output models (different specs.) .....												
.....												
Outputs 2, 3: $V_{o2\text{ nom}}$ , $V_{o3\text{ nom}}$ :												
5.1 V .....												
12 V .....												
15 V .....												
24 V .....												
other voltages and specs. ....												
.....												
Ambient temperature range $T_A$ :												
–25 to 71 °C .....												
–40 to 71 °C .....												
customer-specific ...												
-0, -5, -6, -8												
Auxiliary functions and options:												
Inrush current limitation (CM, EM, LM) .....		E										
Output voltage control input (single-output models) ....		R										
Potentiometers for adjustment of output voltages .....		P										
Save data signal (D0 – D9, to be specified) .....		D										
ACFAIL signal (V0, V2, V3, to be specified) .....		V										
Output voltage test sockets .....		A										
Increased electric strength test voltage .....		H										
Input fuse built-in (not accessible) .....		F										

<sup>1</sup> Ask Power-One for availability

<sup>2</sup> Feature R excludes option P and vice versa

<sup>3</sup> Option D excludes option V and vice versa

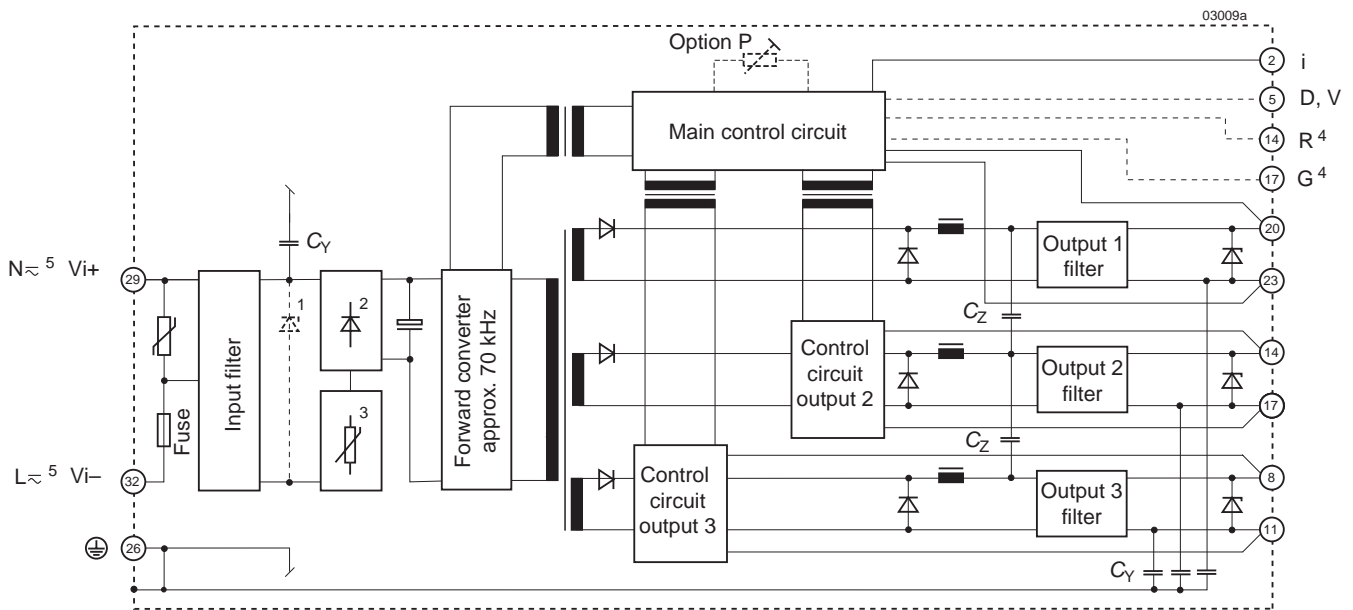
Example: CM2540-9EPD3AHF: DC-DC converter, operating input voltage range 28 – 140 V, providing output 1 with 15 V /1.7 A and output 2 with 15 V /1.7 A; temperature range –40 to +71 °C, inrush current limitation, equipped with potentiometers, undervoltage monitor D3, test sockets, a built-in fuse, and tested with higher voltage output to case.

## Functional Description

The input voltage is fed via an input fuse, an input filter, a rectifier, and an inrush current limiter to the input capacitor. This capacitor sources a single-transistor forward converter. Each output is powered by a separate secondary winding of the main transformer. The resultant voltages are rectified and their ripples smoothed by a power choke and an output filter. The main control circuit senses the main output voltage  $V_{o1}$  and generates, with respect to the maximum admissible output

currents, the control signal for the primary switching transistor. This signal is transferred to the primary side by a coupling transformer.

The auxiliary output voltages  $V_{o2}$  and  $V_{o3}$  are individually regulated by means of secondary switching transistors. Each auxiliary output's current is sensed using a current transformer. If one of the outputs is driven into current limit, the other outputs will reduce their output voltages as well, because all output currents are controlled by the same main control circuit.



- 1 Transient suppressor diode in AM, BM, CM, FM models.
- 2 Bridge rectifier in LM, series diode in EM models.
- 3 Inrush current limiter (NTC) in CM, DM, EM, LM models (option E: refer to the description of option E).
- 4 Single-output models with feature R.
- 5 LM-models

Fig. 1  
Block diagram, triple-output models

## Electrical Input Data

General conditions:

–  $T_A = 25\text{ °C}$ , unless  $T_C$  is specified.

– Connector pins 2 and 23 interconnected, R input not connected; with option P:  $V_o = V_{o\text{ nom}}$

Table 2a: Input data

Input			AM			BM			FM			CM			Unit
Characteristics	Conditions		min	typ	max	min	typ	max	min	typ	max	min	typ	max	
$V_i$	Operating input voltage	$I_o = 0 - I_{o\text{ nom}}$	8		35	14		70	20		100	28		140	VDC
$V_{i\text{ nom}}$	Nominal input voltage	$T_{C\text{ min}} - T_{C\text{ max}}$	15			30			50			60			
$I_i$	Input current	$V_{i\text{ nom}}, I_{o\text{ nom}}^2$	4.0			2.0			1.2			1.0			A
$P_{i0}$	No-load input power: Single-output model Double-output model Triple-output model	$V_{i\text{ nom}}$ $I_{o1,2,3} = 0$	1 1.5			1 1.5			1 1.5			1 1.5			W
			7 9			7 9			7 9			7 9			
			6 9			6 9			6 9			6 9			
$P_{i\text{ inh}}$	Idle input power	inhibit mode	2			2			2			2			
$I_{i\text{ nr p}}^6$	Peak inrush current	$V_i = V_{i\text{ max}}$ $R_S = 0\ \Omega^3$ $T_C = 25\text{ °C}$	400			500			400			170 <sup>4</sup>			A
$t_{i\text{ nr r}}$	Rise time	$R_S = 0\ \Omega^3$ $T_C = 25\text{ °C}$	60			50			40			60			$\mu\text{s}$
$t_{i\text{ nr h}}$	Time to half-value		170			100			60			280			
$R_i$	Input resistance	$T_C = 25\text{ °C}$	87.5			140			250			824 <sup>4</sup>			m $\Omega$
$C_i$	Input capacitance		2600			4000			670			1100			$\mu\text{F}$
$V_{i\text{ abs}}$	Input voltage limits without any damage		0 40			0 80			0 120			0 160			VDC

Table 2b: Input data

Input			DM			EM			LM			Unit
Characteristics	Conditions		min	typ	max	min	typ	max	min	typ	max	
$V_i$	Operating input voltage	$I_o = 0 - I_{o\text{ nom}}$ $T_{C\text{ min}} - T_{C\text{ max}}$	-			-			85 264			VAC <sup>1</sup>
			44 220			67 385			88 372			VDC
$V_{i\text{ nom}}$	Nominal input voltage		110			220			310			
$I_i$	Input current	$V_{i\text{ nom}}, I_{o\text{ nom}}^2$	0.55			0.275			0.20			A
$P_{i0}$	No-load input power: Single-output model Double-output model Triple-output model	$V_{i\text{ nom}}$ $I_{o1,2,3} = 0$	1 1.5			1 1.5			1 1.5			W
			7 9			7 9			7 9			
			6 9			6 9			6 9			
$P_{i\text{ inh}}$	Idle input power	inhibit mode	2			2			2			
$I_{i\text{ nr p}}^6$	Peak inrush current	$V_i = V_{i\text{ max}}$ $R_S = 0\ \Omega^3$ $T_C = 25\text{ °C}$	110 <sup>4</sup>			160 <sup>4</sup>			60 <sup>4</sup>			A
$t_{i\text{ nr r}}$	Rise time	$R_S = 0\ \Omega^3$ $T_C = 25\text{ °C}$	40			40			300			$\mu\text{s}$
$t_{i\text{ nr h}}$	Time to half-value		250			240			900			
$R_i$	Input resistance	$T_C = 25\text{ °C}$	2000 <sup>4</sup>			2400 <sup>4</sup>			6200 <sup>4</sup>			m $\Omega$
$C_i$	Input capacitance		140			270			140 270			$\mu\text{F}$
$V_{i\text{ abs}}$	Input voltage limits without any damage		0 400 <sup>5</sup>			-400 400			-400 400			VDC
			-			-			0 284			VAC

<sup>1</sup> In AC powered mode (LM models): 47 – 440 Hz

<sup>2</sup> With multiple-output models, the same condition for each output applies.

<sup>3</sup>  $R_S$  = source resistance.

<sup>4</sup> Value for initial switch-on cycle.

<sup>5</sup> 1 s max., duty cycle 1% max.

<sup>6</sup>  $I_{i\text{ nr p}} = V_i / (R_S + R_i)$ ; see Inrush Current.

### Input Fuse

A fuse holder containing a slow-blow type fuse (size: 5 × 20 mm) is mounted in the back plate of the converter. The fuse protects the converter against severe defects. It may not fully protect it at input voltages exceeding 200 VDC. In applications, where the converters operate at DC source voltages above 200 VDC, an external fuse or a circuit breaker at system level should be installed.

The fuse and a VDR form together with the input filter an effective protection against high input transients.

**Note:** For applications, where the fuse should not be accessible; see *Option F*.

Table 3: Fuse types (slow-blow)

Series	Schurter type	Part number
AM1000 – 3000	SPT 10 A /250 V	0001.2514
BM1000 – 3000	SPT 8 A /250 V	0001.2513
FM1000 – 3000	SPT 5 A /250 V	0001.2511
CM1000 – 3000	SPT 3.15 A /250 V	0001.2509
DM1000 – 3000 EM1000 – 3000 LM1000 – 3000	SPT 2.5 A /250 V	0001.2508

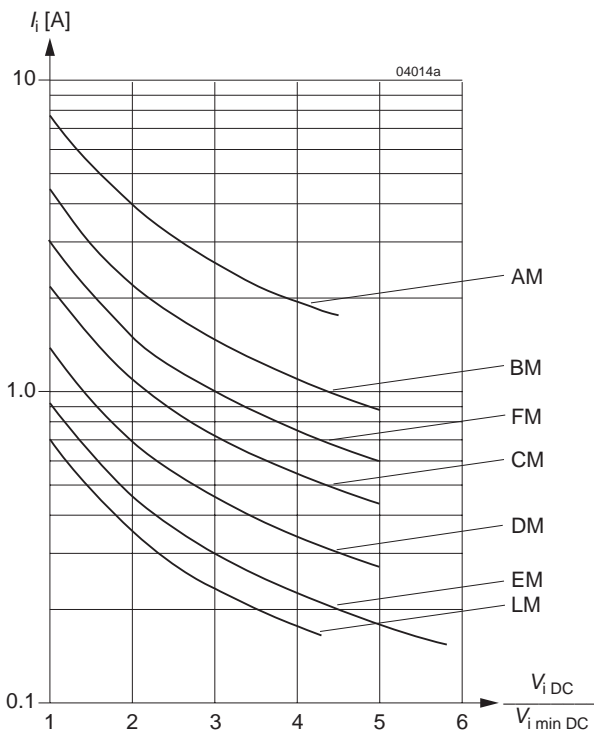


Fig. 2  
Typical input current versus relative input voltage at nominal output load

### Input Under-/Overvoltage Lockout

If the input voltage remains below  $0.8 V_{i min}$  or exceeds approx.  $1.1 V_{i max}$ , an internally generated inhibit signal disables the output(s). When checking this function the absolute maximum input voltage rating  $V_{i abs}$  must be carefully considered (see table *Input data*).

**Note:** When  $V_i$  is between  $V_{i min}$  and the undervoltage lockout level, the output voltage may be below the value defined in table *Output data*.

### Reverse Polarity

Reverse polarity at the input of AM, BM, CM, DM, and FM models will cause the fuse to blow. In EM and LM models a series diode will protect the converter. A series diode is not incorporated in AM, BM, CM, DM and FM types to avoid unwanted power losses.

### Inrush Current

The CM, DM, EM, and LM (excluding FM) models incorporate an NTC resistor in the input line, which (during the initial switch-on cycle) limits the peak inrush current in order to prevent the connectors and switching devices from damage. Subsequent switch-on cycles within a short interval will cause an increase of the peak inrush current due to the warming-up of the NTC resistor. Refer to *Option E*.

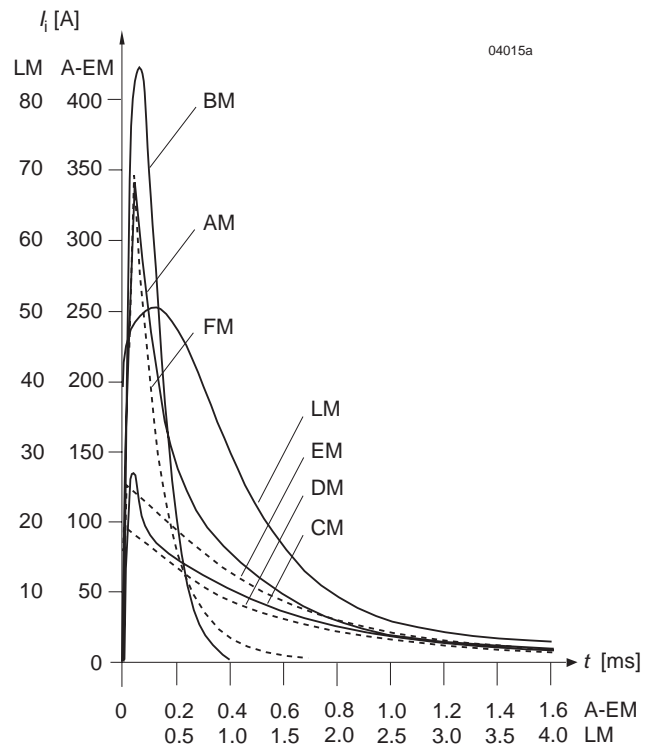


Fig. 3  
Typical inrush current at initial switch-on.  $V_{i max}$  (DC) and nominal output load

## Electrical Output Data

General conditions

–  $T_A = 25^\circ\text{C}$ , unless  $T_C$  is specified.

– Connector pins 2 and 23 interconnected, R input not connected; with option P:  $V_o = V_{o\text{ nom}}$

Table 4: Output data

Output		$V_{o\text{ nom}}$	5.1 V		12 V		15 V		24 V		48 V		Unit												
Characteristics		Conditions	min	typ	max	min	typ	max	min	typ	max	min	typ	max											
$V_o$	Output voltage	$V_{i\text{ nom}}, I_{o\text{ nom}}^1$	5.07		5.13	11.93		12.07	14.91		15.09	23.86		24.14	47.72		48.28	V							
$V_{o\text{ p}}$	Output overvoltage protection <sup>5</sup>		7.5			21			25			41			85										
$I_{o\text{ nom}}$	Output current	$V_{i\text{ min}} - V_{i\text{ max}}$ $T_C\text{ min} - T_C\text{ max}$	see table 1 Model Selection																						
$I_{o\text{ L}}$	Output current limitation		see fig. 4 Typical voltage $V_{o1}$ versus output currents $I_o$																						
$v_o$	Output voltage noise	Switch. freq.	$V_{i\text{ nom}}, I_{o\text{ nom}}^1$		15		30		25		50		35		70		40		80		50		100		mV <sub>pp</sub>
		Total	IEC/EN 61204 BW = 20 MHz		60		120		40		80		40		80		40		80		-				
$\Delta V_{o\text{ v}}$	Static line regulation	$V_{i\text{ min}} - V_{i\text{ nom}}$ $V_{i\text{ nom}} - V_{i\text{ max}}$ $I_{o\text{ nom}}^1$	$\pm 10$		$\pm 30$		$\pm 12$		$\pm 50$		$\pm 15$		$\pm 60$		$\pm 15$		$\pm 60$		$\pm 15$		$\pm 60$		mV		
$\Delta V_{o\text{ l}}$	Static load regulation	$V_{i\text{ nom}}$ $I_{o\text{ nom}} - 0^2$	6		25		13		50		17		60		30		80		60		150				
$\Delta V_{o\text{ lc}}$	Static cross load regulation <sup>4</sup>	$V_{i\text{ nom}}$ $I_{o\text{ nom}} - 0^3$	0		$\pm 15$		0		$\pm 20$		0		$\pm 30$		0		$\pm 40$		-						
$v_{o\text{ d}}$	Dynamic load regulation	Voltage deviation	$V_{i\text{ nom}}$		$I_{o\text{ nom}} \leftrightarrow \frac{1}{3} I_{o\text{ nom}}^2$		$\pm 220$		$\pm 110$		$\pm 150$		$\pm 130$		$\pm 150$										
$t_{d\text{ l}}$		Recovery time	IEC/EN 61204		0.6		0.6		0.5		1		2				ms								
$v_{o\text{ dc}}$	Dynamic cross load regulation <sup>4</sup>	Voltage deviation	$V_{i\text{ nom}}$		$I_{o\text{ nom}} \leftrightarrow \frac{1}{3} I_{o\text{ nom}}^3$		+10		+10		+10		+20		-		-				mV				
$t_{d\text{ c}}$		Recovery time	IEC/EN 61204		0.05		0.2		0.5		1		-		-				ms						
$\alpha_{V_o}$	Temperature coefficient $\Delta V_o / \Delta T_C$	$V_{i\text{ min}} - V_{i\text{ max}}$ $0 - I_{o\text{ nom}}$	$\pm 0.02$		$\pm 0.02$		$\pm 0.02$		$\pm 0.02$		$\pm 0.02$		$\pm 0.02$		$\pm 0.02$			%/K							
			$\pm 1.0$		$\pm 2.4$		$\pm 3.0$		$\pm 4.8$		$\pm 9.6$				mV/K										

<sup>1</sup> With multiple-output models, all outputs are loaded with the nominal current.

<sup>2</sup> Condition for specified output. With multiple-output models, other output(s) loaded with constant current  $I_{o\text{ nom}}$ . See fig. 5 Dynamic load regulation.

<sup>3</sup> Condition for non-specified output, individually tested, other output(s) loaded with constant current  $I_{o\text{ nom}}$ . See fig. 5 Dynamic load regulation.

<sup>4</sup> Multiple-output models.

<sup>5</sup> By suppressor diode.

### Output Characteristic and Protection

Each output is protected by a suppressor diode, which under worst case conditions may become a short circuit. The suppressor diodes are not designed to withstand externally applied overvoltages. Overload at any of the outputs will cause a shutdown of all outputs. A red LED indicates the overload condition of the respective output.

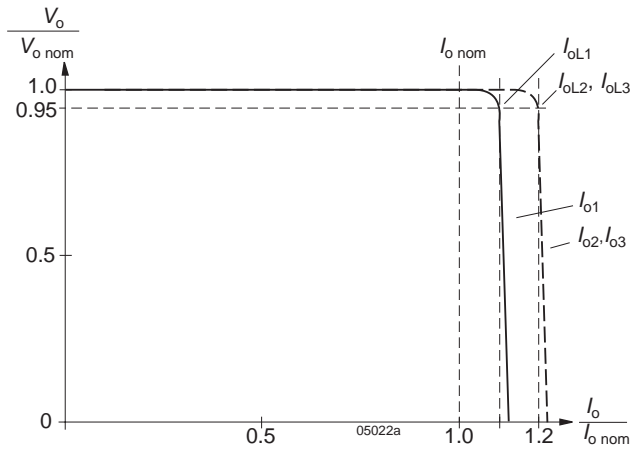


Fig. 4  
Typical voltage  $V_o$  versus output currents  $I_o$ .

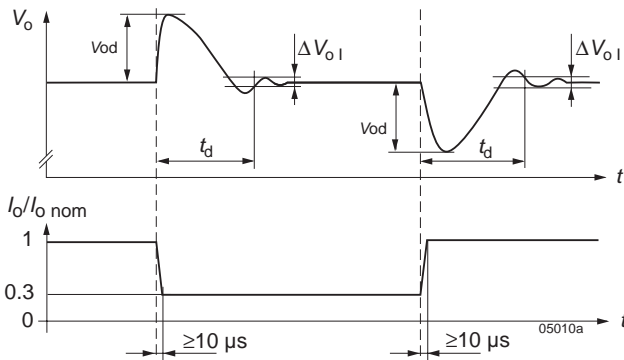


Fig. 5  
Dynamic load regulation  $V_{o,d}$  versus load change.

### Thermal Considerations and Protection

If a converter is located in free, quasi-stationary air (convection cooling) at the indicated maximum ambient temperature  $T_{A,max}$  (see table *Temperature specifications*) and is operated at its nominal input voltage and output power, the temperature measured at the measuring point of case temperature  $T_C$  (see *Mechanical Data*) will approach the indicated value  $T_{C,max}$  after the warm-up phase. However, the relationship between  $T_A$  and  $T_C$  depends heavily on the conditions of operation and integration into a system. The thermal conditions are influenced by input voltage, output current, airflow, and

temperature of surrounding components and surfaces.  $T_{A,max}$  is therefore, contrary to  $T_{C,max}$ , an indicative value only.

**Caution:** The installer must ensure that under all operating conditions  $T_C$  remains within the limits stated in the table *Temperature specifications*.

**Notes:** Sufficient forced cooling or an additional heat sink allow  $T_A$  to pass over 71 °C, if  $T_{C,max}$  is not exceeded.

For -7 or -9 models at an ambient temperature  $T_A$  of 85 °C with only convection cooling, the maximum permissible current for each output is approx. 50% of its nominal value; see figure 6.

A temperature sensor generates an internal inhibit signal disabling the outputs, when the case temperature exceeds  $T_{C,max}$ . The outputs automatically recover, when the temperature drops below this limit.

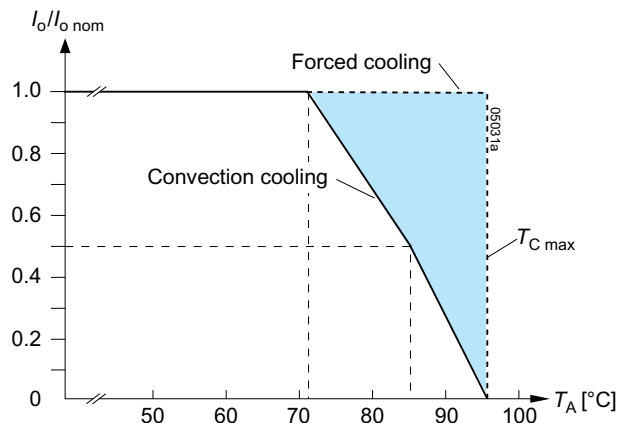


Fig. 6  
Output current derating versus temperature

### Parallel and Series Connection

Main outputs of equal nominal voltage can be connected in parallel. It is important to assure that the main output of a multiple-output converter is forced to supply a minimum current of 0.1 A to enable correct operation of its own auxiliary outputs.

In parallel operation, one or more of the main outputs may operate continuously in current limitation, causing an increase of the case temperature  $T_C$ . Consequently, a reduction of the max. ambient temperature by 10 K is recommended.

Main or auxiliary outputs can be connected in series with any other output of the same or another converter. In series connection, the maximum output current is limited by the lowest current limit. Output ripple and regulation values are added. Connection wiring should be kept as short as possible.

If output terminals are connected together in order to establish multi-voltage configurations, e.g., +5.1 V, ±12 V etc., the common-ground connecting point should be as close as possible to the connectors of the converter in order to avoid excessive output ripple voltages.

**Note:** Auxiliary outputs should never be connected in parallel!



### Output Current Allocation for Special Models

Output currents differing from those given for standard models (see *Model Selection*) can be provided on request. A maximum output power of 50 W should be considered, if an ambient temperature range of -40 to 71 °C is required. The maximum permissible output currents are indicated in the table below. If

the output voltages are different from standard values, the relevant output currents have to be adapted accordingly.

With reduced maximum ambient temperature or with forced cooling, the total output power may exceed 50 W. Customized configurations always need to be checked by a feasibility study first. Please ask Power-One for more information.

Table 5: Current allocation with special models

Output voltage all types $V_{o1/2/3 \text{ nom}}$ [V]	Output 1 all types $I_{o1 \text{ max}}$ [A]	Output 2 AM – LM2000 $I_{o2 \text{ max}}$ [A]	Output 2 AM – LM3000 $I_{o2 \text{ max}}$ [A]	Output 3 AM – LM3000 $I_{o3 \text{ max}}$ [A]	Temperature		
					$T_A$ [°C]	$T_C$ [°C]	
5.1	8.0	4.0	1.8 (2.5 <sup>1</sup> )	1.5	-40 to 71	-25 to 95	
12	4.0	2.0	1.5	1.2			
15	3.4	1.7	1.2	1.0			
24	2.0	1.0	0.7	0.5			
2	5.1	10.0	4.5	2.1 (2.8 <sup>1</sup> )	1.8	-25 to 60	-25 to 90
	12	5.0	2.5	1.7	1.5		
	15	4.0	2.0	1.5	1.3		
	24	2.5	1.3	0.9	0.7		
	5.1	11.0	5.0	2.4 (3.0 <sup>1</sup> )	2.0	-25 to 50	-25 to 85
	12	6.0	3.0	2.0	1.7		
	15	4.6	2.3	1.7	1.5		
	24	3.0	1.5	1.0	0.8		

<sup>1</sup> Special high-current components required. <sup>2</sup>  $V_{i \text{ min}}$  has to be increased.

### Hold-up Time and Output Response

When the input voltage is switched off, the output voltage will remain high for a certain hold-up time  $t_h$  (see fig. 7) before the output voltage falls below  $0.95 V_{o \text{ nom}}$ . To achieve the hold-up times indicated in fig. 8, AM, BM, CM, DM, and FM models require an external series diode in the input line. This is necessary to prevent the discharge of the input capacitor through the source impedance or other circuits connected to the same source. EM and LM models have a built-in series diode. In AM, BM, CM, DM, and FM models, no series diode is built-in, since it would generate additional power losses inside the converter.

**Note:** For hold-up time with option V, refer to *Option V*.

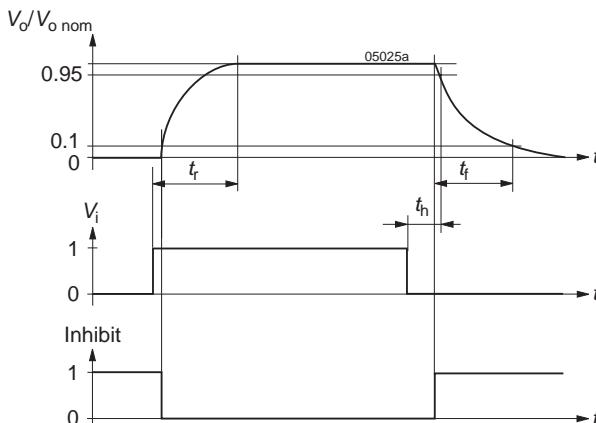


Fig. 7  
Output response times versus  $V_i$  or inhibit control

The behavior of the outputs is similar with either the input voltage applied or the inhibit switched low.

No output voltage overshoot occurs, when the converter is turned on or off.

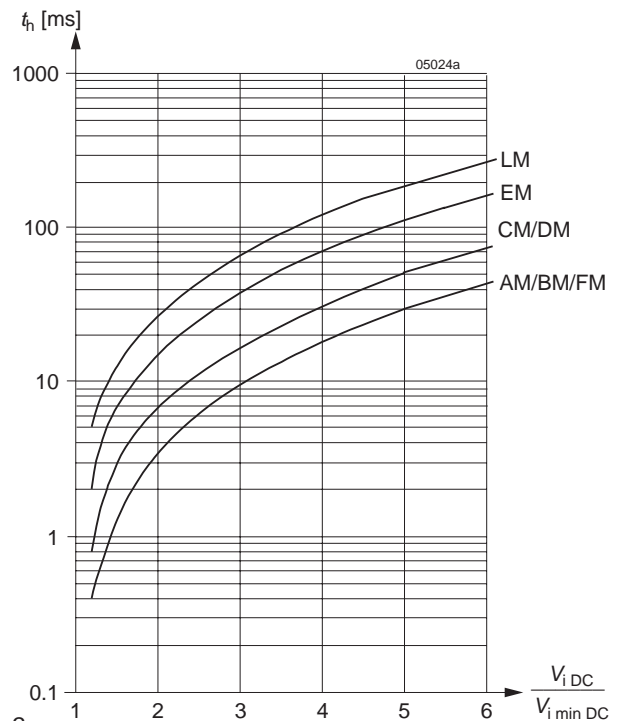


Fig. 8  
Typical hold-up time  $t_h$  versus input voltage at  $I_{o \text{ nom}}$

Table 6: Output response time  $t_r$  and  $t_f$  (see fig. 7). Values not applicable for models equipped with option E.

Type of converter	$t_r$ at $P_o = 0$ and $t_f$ at $P_o = P_{o\ nom}$		$t_r$ and $t_f$ at $P_o = 3/4 P_{o\ nom}$		$t_r$ at $P_o = P_{o\ nom}$		Unit
	typ	max	typ	max	typ	max	
AM – LM1001-9R	5	10	5	10	10	20	ms
AM – LM1301-9R	10	20	15	30	20	40	
AM – LM1501-9R	5	10	10	20	30	60	
AM – LM1601-9R	15	30	25	50	40	80	
AM – LM1901-9R	65	130	100	200	165	330	
AM – LM2320-9	20	40	30	60	50	100	
AM – LM2540-9	15	30	20	40	35	70	
AM – LM3020-9	55	110	85	170	145	290	
AM – LM3040-9	40	80	60	120	100	200	

Conditions:

R input not connected. For multiple-output models the figures indicated in the table relate to the output, which reacts slowest. All outputs are resistively loaded. Variation of the input voltage within  $V_{i\ min} - V_{i\ max}$  does not influence the values considerably.

## Auxiliary Functions

### Inhibit

The outputs of the converters may be enabled or disabled by means of a logic signal (TTL, CMOS, etc.) applied between the inhibit input  $i$  and the negative pin of output 1 ( $V_{o1-}$ ). In systems with several converters, this feature can be used, for example, to control the activation sequence of the converters. If the inhibit function is not required, connect the inhibit pin 2 to pin 23 to enable the outputs (active low logic, fail safe). The response times are specified in table 6.

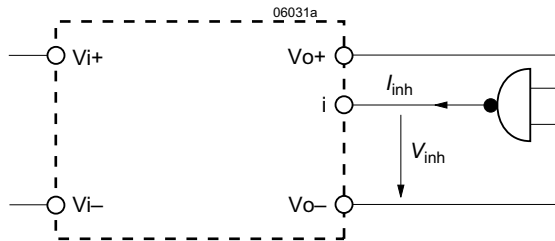


Fig. 9

Definition of  $V_{inh}$  and  $I_{inh}$ .

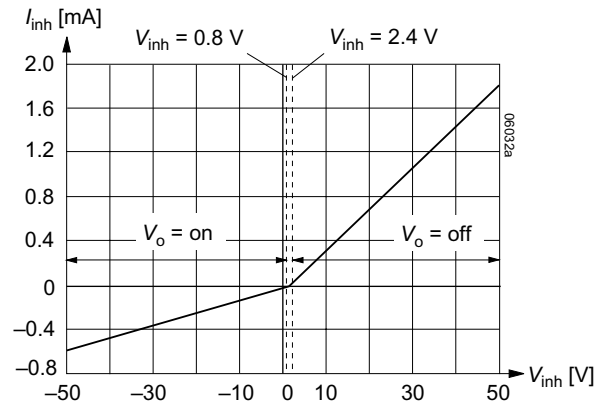


Fig. 10

Typical inhibit current  $I_{inh}$  versus inhibit voltage  $V_{inh}$

Table 7: Inhibit data

Characteristics		Conditions	min	typ	max	Unit
$V_{inh}$	Inhibit input voltage to keep output voltage	$V_o = \text{on}$	-50		0.8	V
		$V_o = \text{off}$			50	
$I_{inh}$	Inhibit current	$V_{inh} = 0$	-60	-100	-220	$\mu\text{A}$

**R-Control for Output Voltage Adjustment**

As a standard feature, single-output models without option P offer an adjustable output voltage identified by letter R in the type designation.

**Note:** With open R input,  $V_o = V_{o\ nom}$ .

The output voltage  $V_o$  can either be adjusted by an external voltage ( $V_{ext}$ ) or by an external resistor ( $R_{ext1}$  or  $R_{ext2}$ ). The adjustment range is approximative 0 – 110% of  $V_{o\ nom}$ . For output voltages  $V_o > V_{o\ nom}$ , the minimum input voltage  $V_{i\ min}$  specified in *Electrical Input Data* increases proportionally to  $V_o/V_{o\ nom}$ .

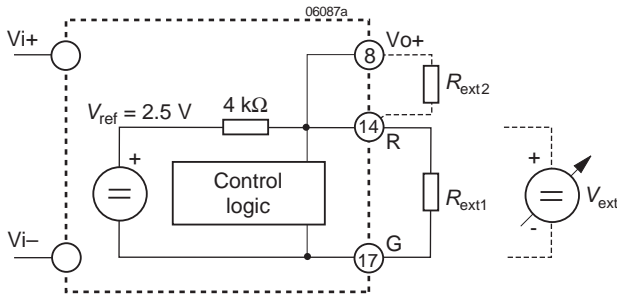


Fig. 11  
Output voltage adjustment

- a) Adjustment by means of an external resistor  $R_{ext}$ . Depending upon the value of the required output voltage, the resistor shall be connected:  
**either:** Between the R and G pin to achieve an output voltage adjustment range of  $V_o \approx 0$  to 100% of  $V_{o\ nom}$ .

$$R_{ext1} \approx 4\text{ k}\Omega \cdot \frac{V_o}{V_{o\ nom} - V_o}$$

- or:** Between the R pin and Vo+ to achieve an output voltage range of  $V_o \approx 100$  to 110% of  $V_{o\ nom}$ .

$$R_{ext2} \approx 4\text{ k}\Omega \cdot \frac{(V_o - 2.5\text{ V})}{2.5\text{ V} \cdot (V_o/V_{o\ nom} - 1)}$$

**Caution:** To prevent damage,  $R_{ext2}$  should never be less than 47 k $\Omega$ .

**Note:** R inputs of n converters with paralleled outputs may be paralleled too, but if only one external resistor is used, its value should be  $R_{ext1}/n$  or  $R_{ext2}/n$  respectively.

- b) Adjustment by means of an external control voltage  $V_{ext}$  between G and R pin. The control voltage range is 0 to 2.75 V and allows for adjustment in the range of  $V_o \approx 0$  to 110% of  $V_{o\ nom}$ .

$$V_{ext} \approx \frac{V_o \cdot 2.5\text{ V}}{V_{o\ nom}}$$

**Caution:** The external control voltage should be in the range 0 to +3 V to prevent the converter from damage.

Table 8a:  $R_{ext1}$  for  $V_o < V_{o\ nom}$  (conditions:  $V_{i\ nom}$ ,  $I_{o\ nom}$ , rounded up to resistor values E 96,  $R_{ext2}$  is not fitted )

$V_{o\ nom} = 5.1\text{ V}$		$V_{o\ nom} = 12\text{ V}$		$V_{o\ nom} = 15\text{ V}$		$V_{o\ nom} = 24\text{ V}$		$V_{o\ nom} = 48\text{ V}$	
$V_o$ [V]	$R_{ext1}$ [k $\Omega$ ]	$V_o$ [V]	$R_{ext1}$ [k $\Omega$ ]	$V_o$ [V]	$R_{ext1}$ [k $\Omega$ ]	$V_o$ [V]	$R_{ext1}$ [k $\Omega$ ]	$V_o$ [V]	$R_{ext1}$ [k $\Omega$ ]
0.5	0.432	2.0	0.806	2.0	0.619	4.0	0.806	8.0	0.806
1.0	0.976	3.0	1.33	4.0	1.47	6.0	1.33	12.0	1.33
1.5	1.65	4.0	2.0	6.0	2.67	8.0	2.0	16.0	2.0
2.0	2.61	5.0	2.87	8.0	4.53	10.0	2.87	20.0	2.87
2.5	3.83	6.0	4.02	9.0	6.04	12.0	4.02	24.0	4.02
3.0	5.76	7.0	5.62	10.0	8.06	14.0	5.62	28.0	5.62
3.5	8.66	8.0	8.06	11.0	11.0	16.0	8.06	32.0	8.06
4.0	14.7	9.0	12.1	12.0	16.2	18.0	12.1	36.0	12.1
4.5	30.1	10.0	20.0	13.0	26.1	20.0	20.0	40.0	20.0
5.0	200.0	11.0	44.2	14.0	56.2	22.0	44.2	44.0	44.2

Table 8b:  $R_2$  for  $V_o > V_{o\ nom}$  (conditions:  $V_{i\ nom}$ ,  $I_{o\ nom}$ , rounded up to resistor values E 96,  $R_{ext1}$  is not fitted )

$V_{o\ nom} = 5.1\text{ V}$		$V_{o\ nom} = 12\text{ V}$		$V_{o\ nom} = 15\text{ V}$		$V_{o\ nom} = 24\text{ V}$		$V_{o\ nom} = 48\text{ V}$	
$V_o$ [V]	$R_{ext2}$ [k $\Omega$ ]	$V_o$ [V]	$R_{ext2}$ [k $\Omega$ ]	$V_o$ [V]	$R_{ext2}$ [k $\Omega$ ]	$V_o$ [V]	$R_{ext2}$ [k $\Omega$ ]	$V_o$ [V]	$R_{ext2}$ [k $\Omega$ ]
5.15	464	12.1	1780	15.2	1470	24.25	3160	48.5	6810
5.20	215	12.2	909	15.4	750	24.50	1620	49.0	3480
5.25	147	12.3	619	15.6	511	24.75	1100	49.5	2370
5.30	110	12.4	464	15.8	383	25.00	825	50.0	1780
5.35	90.9	12.5	383	16.0	332	25.25	715	50.5	1470
5.40	78.7	12.6	316	16.2	274	25.50	590	51.0	1270
5.45	68.1	12.7	274	16.4	237	25.75	511	51.5	1100
5.50	61.9	12.8	249	16.5	226	26.00	453	52.0	953
		13.0	200			26.25	402	52.5	845
		13.2	169			26.40	383	52.8	806

**Display Status of LEDs**

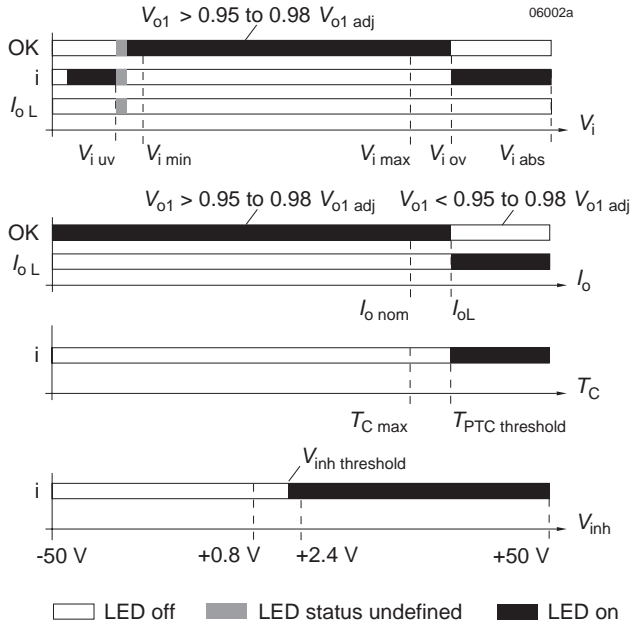


Fig. 12

Status of LEDs.

$V_{i\text{ uv}}$  = undervoltage lockout,  $V_{i\text{ ov}}$  = overvoltage lockout

## Electromagnetic Compatibility (EMC)

A suppressor diode or a metal oxide VDR (depending upon converter model) together with an input fuse and an input filter

form an effective protection against high input transient voltages, which typically occur in most installations, but especially in battery-driven mobile applications. The H Series has been successfully tested to the following specifications:

## Electromagnetic Immunity

Table 9: Immunity type tests

Phenomenon	Standard	Level	Coupling mode <sup>2</sup>	Value applied	Waveform	Source impeded.	Test procedure	In oper.	Per-form. <sup>3</sup>
1 MHz burst disturbance	IEC 60255-22-1	III	i/o, i/c, o/o, o/c	2500 V <sub>p</sub>	400 damped 1 MHz waves/s	200 Ω	2 s per coupling mode	yes	A
			+i/-i, +o/-o	1000 V <sub>p</sub>					
Voltage surge	IEC 60571-1		-i/c, +i/-i	800 V <sub>p</sub>	100 μs	100 Ω	1 pos. and 1 neg. voltage surge per coupling mode	yes	A
				1500 V <sub>p</sub>	50 μs				
				3000 V <sub>p</sub>	5 μs				
				4000 V <sub>p</sub>	1 μs				
				7000 V <sub>p</sub>	100 ns				
Supply related surge	RIA 12	A <sup>4</sup>	+i/-i	3.5 • V <sub>batt</sub>	2/20/2 ms	0.2 Ω	1 positive surge	yes	A
	EN 50155:1995	B		1.5 • V <sub>batt</sub>	0.1/1/0.1 s				
		1.4 • V <sub>batt</sub>		1 Ω					
Direct transient	RIA 12 EN 50155:1995 (for EN 50155 levels D, G, H and L only)	C	-i/c, +i/-i	960 V <sub>p</sub>	10/100 μs	5 Ω	5 pos. and 5 neg. impulses	yes	A
		D		1800 V <sub>p</sub>	5/50 μs				
		E		3600 V <sub>p</sub>	0.5/5 μs				
		F		4800 V <sub>p</sub>	0.1/1 μs				
		G		8400 V <sub>p</sub>	0.05/0.1 μs				
Indirect coupled transient		H	-o/c, +o/-o, -o/-i	1800 V <sub>p</sub>	5/50 μs	100 Ω			A <sup>1</sup>
		J		3600 V <sub>p</sub>	0.5/5 μs				
		K		4800 V <sub>p</sub>	0.1/1 μs				
		L		8400 V <sub>p</sub>	0.05/0.1 μs				
Electrostatic discharge (to case)	IEC/EN 61000-4-2	4	contact discharge	8000 V <sub>p</sub>	1/50 ns	330 Ω	10 positive and 10 negative discharges	yes	A
			air discharge	15000 V <sub>p</sub>					
Electromagnetic field	IEC/EN 61000-4-3	x	antenna	20 V/m	AM 80% 1 kHz	n.a.	26 to 1000 MHz	yes	A <sup>1</sup>
Electromagnetic field, pulse modulated	ENV 50204	4		30 V/m	50% duty cycle, 200 Hz repetition frequency		900 ±5 MHz	yes	A
Electrical fast transient/burst	IEC/EN 61000-4-4	3	capacitive, o/c	2000 V <sub>p</sub>	bursts of 5/50 ns 2.5/5 kHz over 15 ms; burst period: 300 ms	50 Ω	60 s positive 60 s negative transients per coupling mode	yes	A <sup>1</sup>
		4	direct, i/c, +i/-i	4000 V <sub>p</sub>					
Surge	IEC/EN 61000-4-5	4	i/c	4000 V <sub>p</sub>	1.2/50 μs	12 Ω	5 pos. and 5 neg. surges per coupling mode	yes	A
		3	+i/-i	2000 V <sub>p</sub>		2 Ω			
		x	i/c, +i/-i	2500 V <sub>p</sub>		40 Ω			
Conducted disturbances	IEC/EN 61000-4-6	3	i, o, signal wires	10 VAC (140 dBmV)	AM 80% 1 kHz	150 Ω	0.15 to 80 MHz	yes	B

<sup>1</sup> For converters with 3 output voltages, temporary deviation from specs possible.

<sup>2</sup> i = input, o = output, c = case.

<sup>3</sup> A = Normal operation, no deviation from specifications, B = Temporary deviation from specs.

<sup>4</sup> Only met with extended input voltage range of BM (24 V battery), CM (48 V battery), and EM (110 V battery) models. Such models are available on customer's request. Standard DM (110 V battery) will not be damaged, but overvoltage lockout will occur during the surge.

**Electromagnetic Emissions**

Table 10: Emissions at  $V_{i\text{ nom}}$  and  $I_{o\text{ nom}}$  (LM at 230 VAC)

Model	Level		
	IEC/EN 55011 IEC/EN 55022		EN 55014 ≥30 MHz
	≤30 MHz	≥30 MHz	
AM1000	B	B	<limit
AM2000	B	B	<limit
AM3000	B	B	<limit
BM1000	B	A	<limit
BM2000	B	B	<limit
BM3000	B	A	<limit
CM1000	B	B	<limit
CM2000	B	B	<limit
CM3000	B	A	<limit
DM1000	B	B	<limit
DM2000	B	B	<limit
DM3000	B	A	<limit
EM1000	B	B	<limit
EM2000	B	B	-
EM3000	B	A	-
FM1000	B	A	<limit
FM2000	B	A	>limit
FM3000	B	A	-
LM1000	B	B	<limit
LM2000	B	B	<limit
LM3000	B	A	<limit

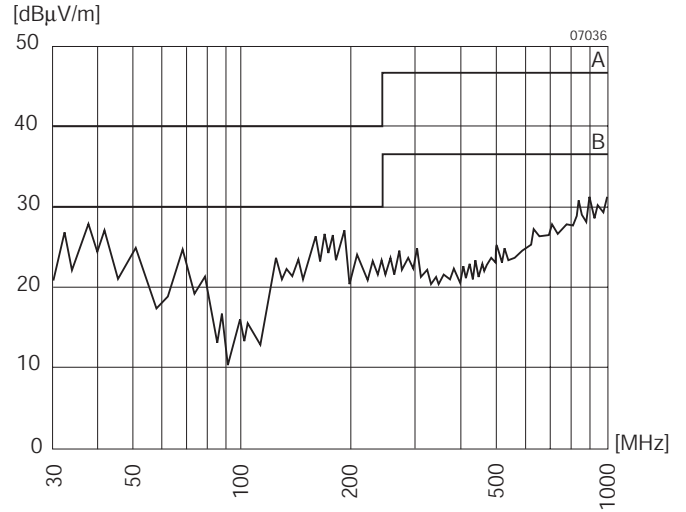


Fig. 14  
Typical radiated emissions according to IEC/EN 55011/22, normalized to a distance of 10 m, measured at  $V_{i\text{ nom}}$  and  $I_{o\text{ nom}}$ .

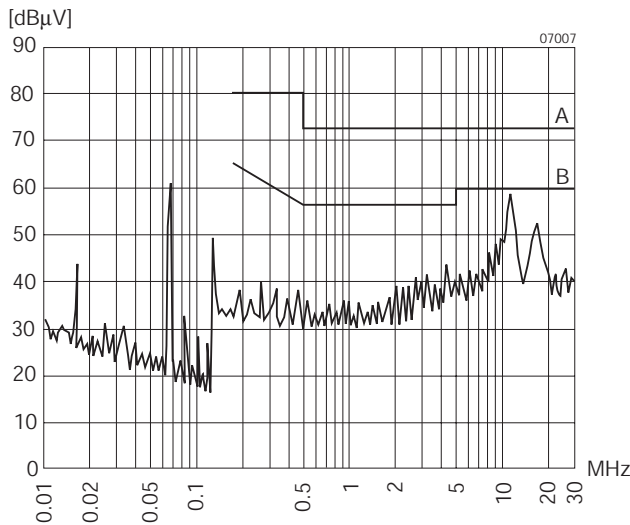


Fig. 13  
Typical disturbances (quasi-peak) at the input according to IEC/EN 55011/22, measured at  $V_{i\text{ nom}}$  and  $I_{o\text{ nom}}$ .

## Immunity to Environmental Conditions

Table 11: Mechanical and climatic stress

Test method		Standard	Test conditions		Status
Cab	Damp heat steady state	IEC/EN 60068-2-78 MIL-STD-810D section 507.2	Temperature: Relative humidity: Duration:	40 ±2 °C 93 +2/-3 % 56 days	Converter not operating
Ea	Shock (half-sinusoidal)	IEC/EN 60068-2-27 MIL-STD-810D section 516.3	Acceleration amplitude: Bump duration: Number of bumps:	100 g <sub>n</sub> = 981 m/s <sup>2</sup> 6 ms 18 (3 each direction)	Converter operating
Eb	Bump (half-sinusoidal)	IEC/EN 60068-2-29 MIL-STD-810D section 516.3	Acceleration amplitude: Bump duration: Number of bumps:	40 g <sub>n</sub> = 392 m/s <sup>2</sup> 6 ms 6000 (1000 each direction)	Converter operating
Fc	Vibration (sinusoidal)	IEC/EN 60068-2-6 MIL-STD-810D section 514.3	Acceleration amplitude: Frequency (1 Oct/min): Test duration:	0.35 mm (10 – 60 Hz) 5 g <sub>n</sub> = 49 m/s <sup>2</sup> (60 – 2000 Hz) 10 – 2000 Hz 7.5 h (2.5 h each axis)	Converter operating
Fda	Random vibration wide band Reproducibility high	IEC 60068-2-35 DIN 40046 part 23	Acceleration spectral density: Frequency band: Acceleration magnitude: Test duration:	0.05 g <sub>n</sub> <sup>2</sup> /Hz 20 – 500 Hz 4.9 g <sub>n rms</sub> 3 h (1 h each axis)	Converter operating
Kb	Salt mist, cyclic (sodium chloride NaCl solution)	IEC/EN 60068-2-52	Concentration: Duration: Storage: Storage duration: Number of cycles:	5% (30 °C) 2 h per cycle 40°C, 93% rel. humidity 22 h per cycle 3	Converter not operating

## Temperatures

Table 12: Temperature specifications, valid for an air pressure of 800 – 1200 hPa (800 – 1200 mbar)

Temperature		Conditions	-7 (option)		-9 (standard)		Unit
Characteristics			min	max	min	max	
T <sub>A</sub>	Ambient temperature	Operational	-25	71	-40	71	°C
T <sub>C</sub>	Case temperature		-25	95	-40	95	
T <sub>S</sub>	Storage temperature	Non operational	-40	100	-55	100	

## Reliability

Table 13: MTBF

Values at specified case temperature	Converter model	Ground benign 40 °C		Ground fixed 40 °C   70 °C		Ground mobile 50 °C	Unit
MTBF <sup>1</sup>	AM – LM1000	320 000		130 000	40 000	35 000	h
	AM – LM2000	225 000		105 000	32 000	28 000	
	AM – LM3000	225 000		80 000	28 000	25 000	
Device hours <sup>2</sup>	AM – LM1000	880 000					
	AM – LM2000	720 000					
	AM – LM3000	740 000					

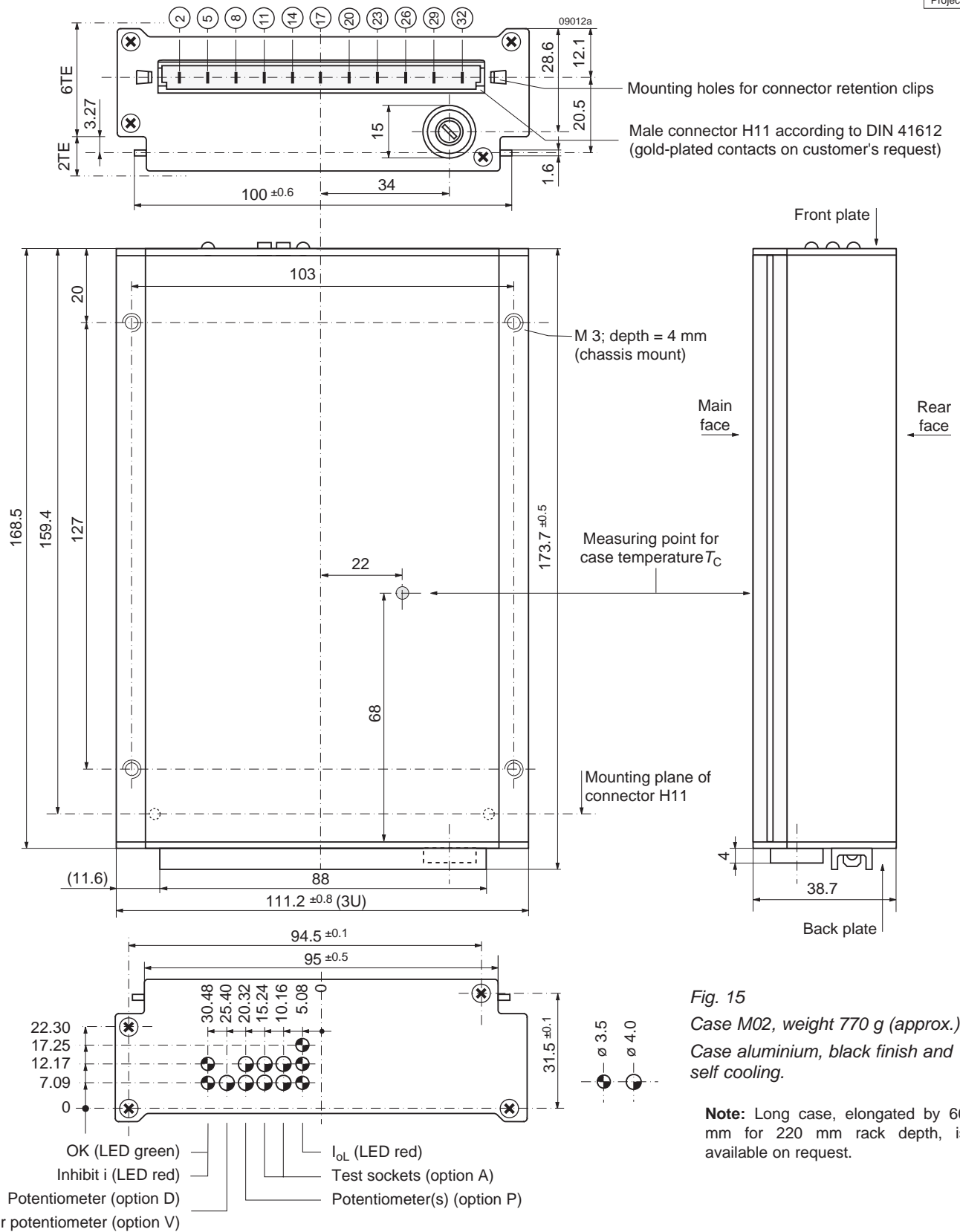
<sup>1</sup> Calculated in accordance with MIL-HDBK-217E

<sup>2</sup> Statistical values, based on an average of 4300 working hours per year in general field use over 3 years



**Mechanical Data**

Dimensions in mm.



**Fig. 15**  
Case M02, weight 770 g (approx.).  
Case aluminium, black finish and self cooling.

**Note:** Long case, elongated by 60 mm for 220 mm rack depth, is available on request.



## Safety and Installation Instructions

### Connector Pin Allocation

Pin no. 26 (protective earth) is leading, ensuring that it makes contact with the female connector first.

Table 14: Pin allocation

Electrical determination	AM – LM1000		AM – LM2000		AM – LM3000	
	Pin	Ident	Pin	Ident	Pin	Ident
Inhibit	2	i	2	i	2	i
Safe Data or ACFAIL	5	D or V <sup>5</sup>	5	D or V <sup>5</sup>	5	D or V <sup>5</sup>
Output voltage (positive)	8	Vo+	8	n.c.	8	Vo3+
Output voltage (negative)	11	Vo–	11	n.c.	11	Vo3–
Voltage adjust	14	R <sup>1</sup>				
Adjust return	17	G <sup>1</sup>				
Output voltage (positive)			14	Vo2+	14	Vo2+
Output voltage (negative)			17	Vo2–	17	Vo2–
Output voltage (positive)	20	Vo+	20	Vo1+	20	Vo1+
Output voltage (negative)	23	Vo–	23	Vo1–	23	Vo1–
Protective earthing PE <sup>2</sup>	26	⊕	26	⊕	26	⊕
DC input voltage <sup>3</sup>	29	Vi+	29	Vi+	29	Vi+
DC input voltage	32	Vi–	32	Vi–	32	Vi–
AC input voltage <sup>4</sup>	29	N <sub>~</sub>	29	N <sub>~</sub>	29	N <sub>~</sub>
AC input voltage	32	L <sub>~</sub>	32	L <sub>~</sub>	32	L <sub>~</sub>

<sup>1</sup> Not connected, if option P is fitted

<sup>2</sup> Leading pin

<sup>3</sup> AM, BM, CM, DM, EM, and FM models

<sup>4</sup> LM models

<sup>5</sup> Not connected, if option neither option D or V is fitted

### Installation Instructions

All M Series converters are components, intended exclusively for inclusion within other equipment by professional installers. Installation must strictly follow the national safety regulations in compliance with the enclosure, mounting, creepage, clearance, casualty, markings and segregation requirements of the end-use application.

Connection to the system shall be made via the female connector H11. Other installation methods may not meet the safety requirements.

The converters are provided with the leading pin 26 (⊕), which is reliably connected with the case. For safety reasons, it is essential to connect pin 26 with the protective earth of the supply system.

An input fuse is connected in the line to pin 32 (Vi– or L<sub>~</sub>). Since this fuse is designed to protect the converter in case of an overcurrent and does not necessarily cover all customer needs, an external fuse suitable for the application and in compliance with the local requirements may be necessary in the wiring to one or both input pins (no. 29 and/or no. 32), particularly if the phase or neutral line cannot be assigned to the corresponding terminals (LM models operated with AC).

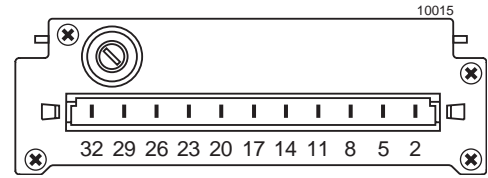


Fig. 16

View of male H11 connector.

**Important:** Whenever the inhibit function is not in use, pin 2 (i) should be connected to pin 23 (Vo–) to enable the output(s).

**Caution:** Do not open the converters, or warranty will be invalidated.

Make sure that there is sufficient air flow possible for convection cooling. This should be verified by measuring the case temperature  $T_C$ , when the converter is installed and operated in the end-use application. The maximum specified case temperature  $T_{C\max}$  shall not be exceeded. See also *Thermal Considerations*.

### Cleaning Agents

In order to avoid possible damage, any penetration of liquids (e.g., cleaning fluids) has to be prevented, since the power supplies are not hermetically sealed.

### Operation of LM Models at Greater than 63 Hz

In such a case, the converters may exceed the leakage current of 3.5 mA imposed in the safety standards. A warning marking is required in the end-use product.

### Protection Degree

Condition: Female connector fitted to the converter.

IP 40: All models, except those with options P or A, and except those with option D/V with potentiometer.

IP 30: All models fitted with options A or option D/V without potentiometer.

IP 20: All models fitted with option P or with option D/V with potentiometer.

### Railway Applications

The M Series converters have been designed observing the railway standards EN 50155 and EN 50121. All boards are coated with a protection lacquer.

### Standards and Approvals

The converters correspond to class I equipment and have been approved according to the standards IEC/EN 60950-1 and UL/CSA 60950-1.

The converters have been evaluated for:

- Class I equipment
- Building in
- Basic insulation between input and case and double or reinforced insulation between input and output, based on the input voltage of 250 VAC or 400 VDC
- Functional insulation between output(s) and case
- Functional insulation between the outputs
- Pollution degree 2 environment
- Overvoltage category II
- Altitude up to 2000 m

The converters are subject to manufacturing surveillance in accordance with the above mentioned standards and with ISO 9001:2000.

### Isolation

The electric strength test is performed in the factory as routine test in accordance with EN 50116 and IEC/EN 60950, and should not be repeated in the field. Power-One will not honor any warranty claims resulting from electric strength field tests.

Table 17: Isolation

Characteristic		Input to case and output(s)	Output(s) to case (standard)	Output(s) to case (option H)	Output to output	Unit
Electric strength test	Factory test >1 s	2.8 <sup>1</sup>	1.4	2.8	0.3	kVDC
	AC test voltage equivalent to factory test	2.0	1.0	2.0	0.2	kVAC
Insulation resistance at 500 VDC		>300	>300	>300	>100 <sup>2</sup>	MΩ
Creepage distances		≥3.2 <sup>3</sup>	--	--	--	mm

<sup>1</sup> According to EN 50116 and IEC/EN 60950, subassemblies connecting input to output are pre-tested with 5.6 kVDC or 4 kVAC.

<sup>2</sup> Tested at 300 VDC

<sup>3</sup> Input to outputs: ≥6.4 mm

### Safety of Operator-Accessible Output Circuits

If the output circuit of a DC-DC converter is operator-accessible, it shall be an SELV circuit according to the IEC/EN 60950 safety standards.

Since the M Series converters provide double or reinforced insulation between input and output based upon a rated primary input voltage of 250 VAC or 400 VDC, only functional insulation is needed between the AC mains and the input of the converter. Only voltage adaption and rectification to the specified input voltage range of a DC/DC converter is needed.

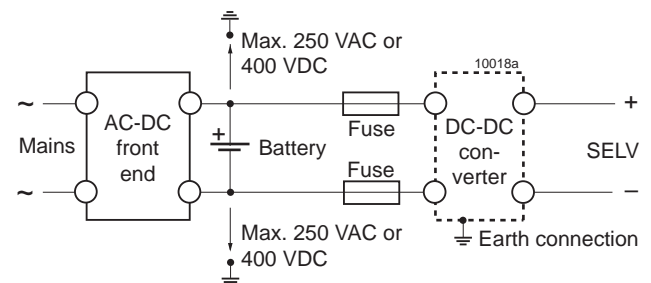


Fig. 17

Schematic safety concept

Table 16: Safety concept leading to an SELV output circuit

Conditions	Front end			DC-DC converter		Result
	Minimum required grade of insulation, to be provided by the AC-DC front end, including mains supplied battery charger	Maximum rated DC output voltage from the front end	Minimum required safety status of the front end output circuit	Equipment	Measures to achieve the specified safety status of the output circuit	
Mains 250 VAC	Operational (i.e. there is no need for electrical isolation between the mains supply voltage and the DC-DC converter input voltage)	400 VDC <sup>1</sup> (The rated voltage between any input pin and earth can be up to 250 VAC or 400 VDC.)	Primary circuit	A – LM	Double or reinforced insulation, based on 250 VAC and 400 VDC (provided by the DC-DC converter) and earthed case <sup>2</sup>	SELV circuit

<sup>1</sup> The front end output voltage should match the specified operating input voltage range of the DC-DC converter.

<sup>2</sup> The earth connection has to be provided by the installer according to the safety standard IEC/EN 60950.

The following table shows a possible installation configuration, compliance with which causes the output circuit of the DC-DC converter to be an SELV circuit according to IEC/EN 60950 up to a configured output voltage (sum of nominal voltages if in

series or +/- configuration) of 48 V. However, it is the sole responsibility of the installer to assure the compliance with the relevant and applicable safety regulations.

## Description of Options

Table 17: Survey of options

Option	Function of option	Characteristic
-7	Former standard operational ambient temperature range	$T_A = -25$ to $71$ °C
A	Test sockets at front panel for check of output voltage	$V_o$ internally measured at the connector terminals
E	Electronic inrush current limitation circuitry	Active inrush current limitation for CM, EM, LM models
P <sup>1</sup>	Potentiometer for fine adjustment of output voltage	Adjustment range $\pm 5\%$ of $V_{o\text{ nom}}$ , excludes R input
F	Input fuse built-in inside case	Fuse not externally accessible
H	Enhanced output to case electric strength test voltage	See table <i>Isolation</i>
D <sup>2</sup>	Input and/or output undervoltage monitoring circuitry	Safe data signal output (D0 – D9)
V <sup>2,3</sup>	Input and/or output undervoltage monitoring circuitry	ACFAIL signal according to VME specifications (V0, V2, V3)

<sup>1</sup> Models equipped with option P do not provide the R function; pins 14 and 17 are not connected.

<sup>2</sup> Option D excludes option V and vice versa

<sup>3</sup> Only available if main output voltage  $V_{o1} = 5.1$  V

Table 18: Configuration of option A and option P

Type of option	AM – LM1000		AM – LM2000		AM – LM3000		
	Output 1		Output 1	Output 2	Output 1	Output 2	Output 3
Potentiometer <sup>1</sup>	yes		yes	yes	yes	no	no
Test sockets	yes		yes	yes	yes	no	no

<sup>1</sup> Models equipped with option P do not provide the R function; pins 14 and 17 are not connected.

### -7 Former Standard Temperature Range

Option -7 stays for the operational ambient temperature range from  $-25$  to  $71$  °C, which may be preferred by some customers for reasons of documentation or approvals.

### A Test Sockets

Test sockets (pin  $\varnothing = 2$  mm, distance  $d = 5.08$  mm) are located at the front of the converter. The output voltage is sensed at the connector pins inside of the converter. Outputs 2 and 3 of triple-output models are not sensed.

### P Potentiometer

Built-in multi-turn potentiometers provide an output voltage adjustment range of minimum  $\pm 5\%$  of  $V_{o\text{ nom}}$  and are accessible through holes in the front cover. Compensation of voltage drop across connector and wiring becomes easily achievable. For output voltages  $V_o > V_{o\text{ nom}}$ , the minimum input voltage according to *Electrical Input Data* increases proportionally to  $V_o/V_{o\text{ nom}}$ . Triple-output models allow only the adjustment of  $V_{o1}$ .

**Note:** Potentiometers are not recommended for mobile applications.

### E Electronic Inrush Current Limitation

Available for CM, EM and LM models.

The standard version of the models CM, DM, EM and LM include a passive inrush current limitation with an NTC resistor.

For applications, which require an improved inrush current

limitation, an active electronic circuit as shown in fig. *Option E block diagram* has been developed. Typical inrush current waveforms of units equipped with this option are shown below.

CM models meet the CEPT/ETSI standards for 48 V supply voltage according to ETS 300132-2, if fitted with option E combined with option D6 (input voltage monitoring). Option D6, externally adjustable via potentiometer, is necessary to disable the converter at input voltages below the actual service ranges, avoiding an excessive input current when the input voltage is raised slowly according to ETS 300132-2. Option D6 threshold level  $V_{ti} + V_{hi}$  (refer to description of option D) should be adjusted to  $36 - 40.5$  V for 48 V nominal supply voltage (for 60 V systems, threshold should be set to  $44 - 50$  V). The D output (pin 5) should be connected to the inhibit (pin 2). For applications, where potentiometers are not allowed, refer to option D9.

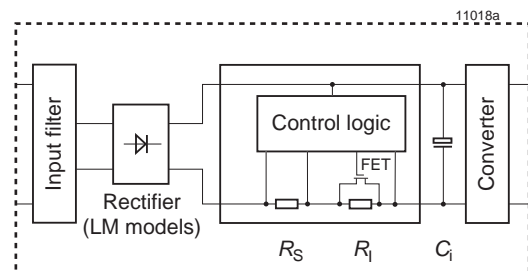


Fig. 18  
*Option E block diagram*

Table 19: Inrush current characteristics with option E

Characteristic		CM at $V_i = 110$ VDC		EM, LM at $V_i = 110$ VDC		EM, LM at $V_i = 372$ VDC		Unit
		typ	max	typ	max	typ	max	
$I_{inr,p}$	Peak inrush current	6.5	8	2.2	4	7.3	10	A
$t_{inr}$	Inrush current duration	22	30	10	20	20	40	ms

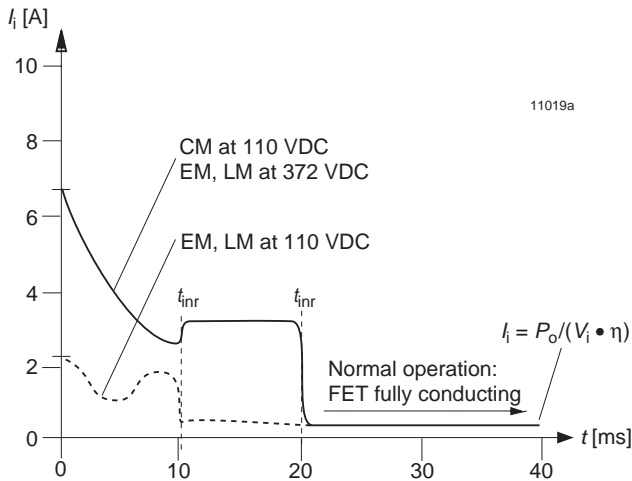


Fig. 19

Typical inrush current waveforms of CM, EM, and LM converters with option E

**Precautions:**

In order to avoid overload of the series resistor  $R_i$ , the on/off switching cycle should be limited to 12 s, if switched on/off continuously. There should not be more than 10 start-up cycles within 20 s at a case temperature of 25 °C.

If CM models are driven by input voltages below 35 VDC or LM models below 100 VAC, the maximum case temperature should be derated by 10 °C, or the total output power should be derated by 20%. EM and LM models driven

Table 20: Undervoltage monitor functions

Output type		Monitoring		Minimum adjustment range of threshold level $V_t$		Typical hysteresis $V_h$ [% of $V_t$ ] for $V_{t,min} - V_{t,max}$	
JFET	NPN	$V_i$	$V_{o1}$	$V_{ti}$	$V_{to}$	$V_{hi}$	$V_{ho}$
D1	D5	no	yes	–	3.5 V – 48 V <sup>1</sup>	–	2.3 – 1
D2	D6	yes	no	$V_{i,min} - V_{i,max}$ <sup>1</sup>	–	3.0 – 0.5	–
D3	D7	yes	yes	$V_{i,min} - V_{i,max}$ <sup>1</sup>	0.95 – 0.98 $V_{o1}$ <sup>2</sup>	3.0 – 0.5	"0"
D4	D8	no	yes	–	0.95 – 0.98 $V_{o1}$ <sup>2</sup>	–	"0"
D0	D9	no	yes	–	3.5 V – 48 V <sup>3</sup>	–	1.8 – 1
		yes	no	$V_{i,min} - V_{i,max}$ <sup>3,4</sup>	–	2.2 – 0.4	–
		yes	yes	$V_{i,min} - V_{i,max}$ <sup>3,4</sup>	0.95 – 0.98 $V_{o1}$ <sup>2</sup>	2.2 – 0.4	"0"

<sup>1</sup> Threshold level adjustable by potentiometer (not recommended for mobile applications)

<sup>2</sup> Fixed value between 95% and 98% of  $V_{o1}$  (tracking)

<sup>3</sup> Fixed value, resistor-adjusted according to customer's specifications  $\pm 2\%$  at 25 °C; individual type number is determined by Power-One

<sup>4</sup> Adjusted at  $I_{o,nom}$

by DC input voltages do not need to be derated within the full specified input voltage range.

**F Fuse Not Accessible**

Standard M converter have a fuseholder containing a 5 x 20 mm fuse, which is externally accessible and located in the back plate near to the connector. Some applications require an inaccessible fuse. Option F provides a fuse mounted directly onto the main PCB inside the case.

The full self-protecting functions of the converter do normally not lead to a broken fuse, except as a result of inverse polarity at the input of an AM, BM, CM, or FM models, or if a power component inside fails. In such cases the defective converter has to be returned to Power-One for repair.

**H Enhanced Electric Strength Test**

Electric strength test output to case; see table *Isolation*.

**D Undervoltage Monitor**

The input and/or output undervoltage monitor operates independently of the built-in input undervoltage lock-out circuit. A logic "low" (JFET output) or "high" signal (NPN output) is generated at pin 5, when one of the monitored voltages drops below the preselected threshold level  $V_t$ . The return for this signal is  $V_{o1-}$  (pin 23). The D output recovers, when the monitored voltage(s) exceed(s)  $V_t + V_h$ . The threshold level  $V_t$  is either adjustable by a potentiometer accessible through a hole in the front cover, or adjusted in the factory to a fixed value specified by the customer.

Option D exists in various versions D0 – D9, as shown in table 20.

**JFET output (D0 – D4):**

Connector pin D is internally connected via the drain-source path of a JFET (self-conducting type) to the negative potential of output 1.  $V_D - 0.4$  V (logic low) corresponds to a monitored voltage level ( $V_i$  and/or  $V_{o1}$ )  $< V_{ti}$ . The current  $I_D$  through the JFET should not exceed 2.5 mA. The JFET is protected by a 0.5 W Zener diode of 8.2 V against external overvoltages.

$V_i, V_{o1}$ status	D output, $V_D$
$V_i$ or $V_{o1} < V_{ti}$	low, L, $V_D - 0.4$ V at $I_D = 2.5$ mA
$V_i$ and $V_{o1} > V_{ti} + V_{hi}$	high, H, $I_D - 25$ $\mu$ A at $V_D = 5.25$ V

**NPN output (D5 – D9):**

Connector pin D is internally connected via the collector-emitter path of a NPN transistor to the negative potential of output 1.  $V_D - 0.4$  V (logic low) corresponds to a monitored voltage level ( $V_i$  and/or  $V_{o1}$ )  $> V_{ti} + V_{hi}$ . The current  $I_D$  through the open collector should not exceed 20 mA. The NPN output is not protected against external overvoltages.  $V_D$  should not exceed 40 V.

$V_i, V_{o1}$ status	D output, $V_D$
$V_i$ or $V_{o1} < V_{ti}$	high, H, $I_D - 25$ $\mu$ A at $V_D = 40$ V
$V_i$ and $V_{o1} > V_{ti} + V_{hi}$	low, L, $V_D - 0.4$ V at $I_D = 20$ mA

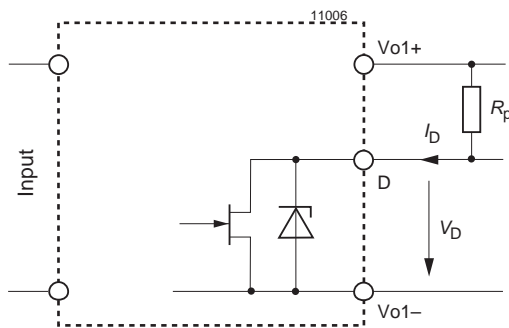


Fig. 20  
Options D0 – D4, JFET output

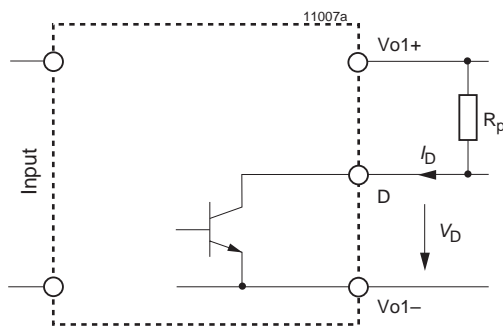


Fig. 21  
Options D5 – D9, NPN output

Threshold tolerances and hysteresis:

If  $V_i$  is monitored, the internal input voltage after the input filter and rectifier (EM and LM types) is measured. Consequently, this voltage differs from the voltage at the connector pins by the voltage drop  $\Delta V_{ti}$  across input filter and rectifier. The threshold level of the D0 and D9 options is adjusted in the factory at nominal output current  $I_{o,nom}$  and  $T_A = 25$  °C. The value of  $\Delta V_{ti}$  depends upon input voltage range (AM, BM, etc.), threshold level  $V_{ti}$ , temperature, and input current.

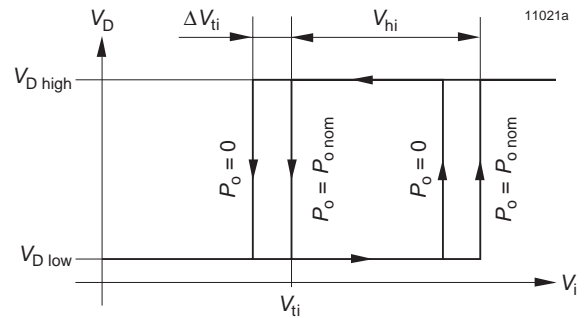
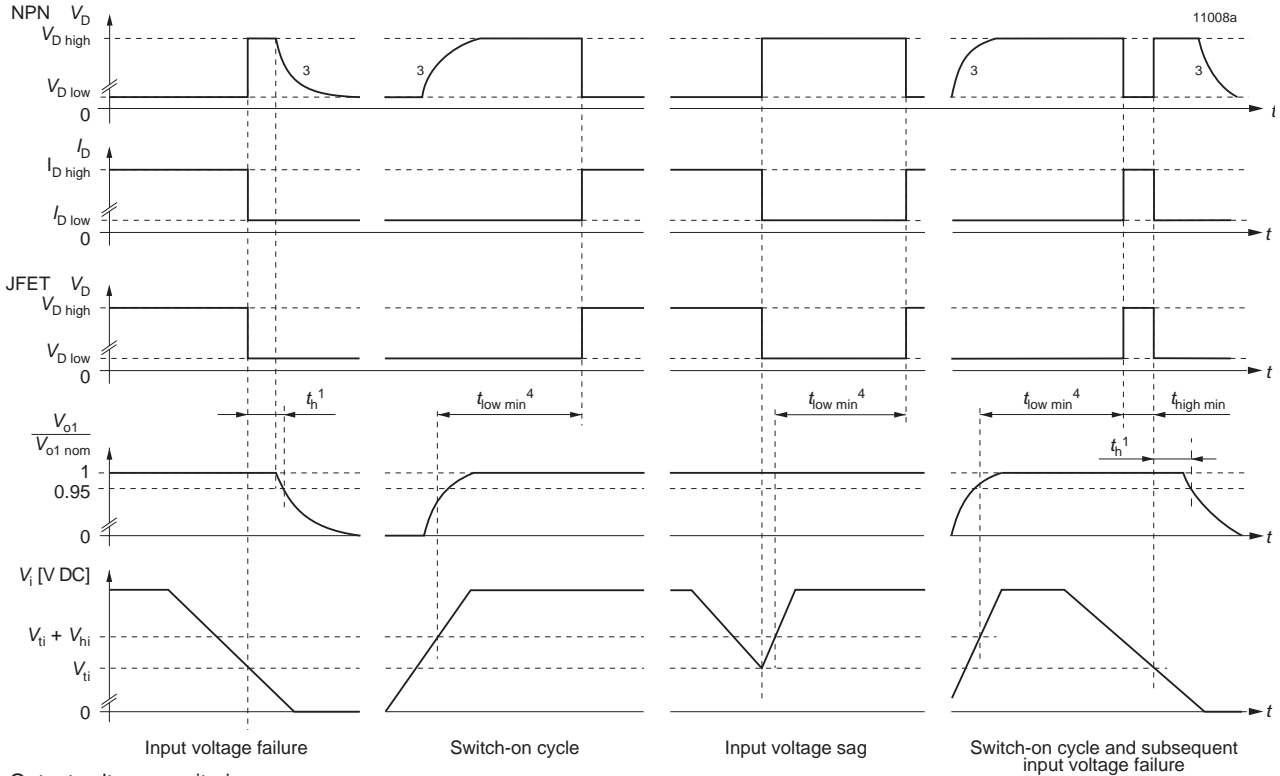


Fig. 22  
Definition of  $V_{ti}$ ,  $\Delta V_{ti}$ , and  $V_{hi}$  (JFET output)

Input voltage monitoring



Output voltage monitoring

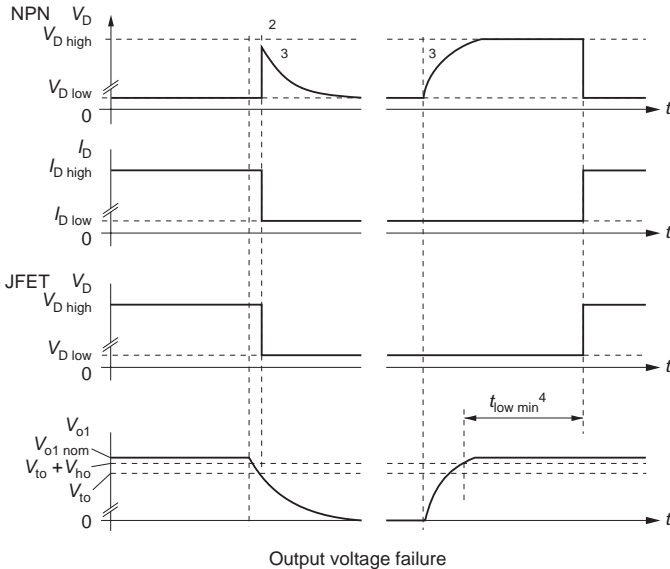


Fig. 23

Relationship between  $V_i$ ,  $V_{O1}$ ,  $V_D$ ,  $I_D$ , and  $V_{O1}/V_{O\ nom}$  versus time.

- 1 See *Electrical Output Data* for hold-up time.
- 2 With output voltage monitoring the hold-up time  $t_h = 0$
- 3 The D signal remains high, if the D output is connected to an external source.
- 4  $t_{low\ min} = 40 - 200$  ms, typically 80 ms

**V ACFAIL Signal (VME)**

Available for converters with  $V_{O1} = 5.1$  V. This option defines an undervoltage monitoring circuit for the input or the input and main output voltage equivalent to option D and generates the ACFAIL signal (V signal), which conforms to the VME standard. The low state level of the ACFAIL signal is specified at a sink current of  $I_V = 48$  mA to  $V_V - 0.6$  V (open-collector

output). The pull-up resistor feeding the open-collector output should be placed on the VME backplane.

After the ACFAIL signal has gone low, the VME standard requires a hold-up time  $t_h$  of at least 4 ms before the 5.1 V output drops to 4.875 V, when the 5.1 V output is fully loaded. This hold-up time  $t_h$  is provided by the internal input capacitance. Consequently the working input voltage and the

threshold level  $V_{ti}$  should be adequately above the minimum input voltage  $V_{i\min}$  of the converter, so that enough energy is remaining in the input capacitance. If the input voltage is below the required level, an external hold-up capacitor ( $C_{i\text{ext}}$ ) should be added.

Formula for threshold level for desired value of  $t_h$ :

$$V_{ti} = \sqrt{\frac{2 \cdot P_o \cdot (t_h + 0.3 \text{ ms}) \cdot 100}{C_{i\min} \cdot \eta}} + V_{i\min}^2$$

Formula for additional external input capacitor

$$C_{i\text{ext}} = \frac{2 \cdot P_o \cdot (t_h + 0.3 \text{ ms}) \cdot 100}{\eta \cdot (V_{ti}^2 - V_{i\min}^2)} - C_{i\min}$$

where as:

- $C_{i\min}$  = minimum internal input capacitance [mF], according to the table below
- $C_{i\text{ext}}$  = external input capacitance [mF]
- $P_o$  = output power [W]
- $\eta$  = efficiency [%]
- $t_h$  = hold-up time [ms]
- $V_{i\min}$  = minimum input voltage [V]
- $V_{ti}$  = threshold level [V]

**Notes:** The threshold level  $V_{ti}$  of option V2 and V3 is adjusted in the factory to a value according to the table below. A decoupling diode should be connected in series with the input of AM, BM, CM, DM, and FM converters to avoid the input capacitance discharging through other loads connected to the same source voltage. If LM models are powered by AC, an external input capacitor cannot be applied unless an additional rectifier is provided.

Table 21: Available internal input capacitance and factory potentiometer setting of  $U_{ti}$  with resulting hold-up time

Types	AM	BM	CM	DM	EM	FM	LM	Unit
$C_{i\min}$	2.6	0.67	0.37	0.14	0.14	0.37	0.14	mF
$V_{ti}$	9.5	19.5	39	61	104	39	120	VDC
$t_h$	0.34	0.69	1.92	1.73	6.69	2.92	8.18	ms

Option V operates independently of the built-in input under-voltage lockout circuit. A logic "low" signal is generated at pin 5 as soon as one of the monitored voltages drops below the pre-selected threshold level  $V_t$ . The return for this signal is Vo1- (pin 23). The V output recovers, when the monitored voltage

exceeds  $V_t + V_h$ . The threshold level  $V_t$  is either adjustable by a potentiometer, accessible through a hole in the front cover, or adjusted in the factory to a determined customer-specific value.

Versions V0, V2 and V3 are available as shown below.

Table 22: Undervoltage monitor functions

V output (VME compatible)	Monitoring		Minimum adjustment range of threshold level $V_t$		Typical hysteresis $U_h$ [% of $V_t$ ] for $V_{t\min} - V_{t\max}$	
	$V_i$	$V_{o1}$	$V_{ti}$	$V_{to}$	$V_{hi}$	$V_{ho}$
V2	yes	no	$V_{i\min} - V_{i\max}^1$	-	3.0 - 0.5	-
V3	yes	yes	$V_{i\min} - V_{i\max}^1$	$0.95 - 0.98 V_{o1}^2$	3.0 - 0.5	"0"
V0	yes	no	$V_{i\min} - V_{i\max}^{3,4}$	-	2.2 - 0.4	-
	yes	yes	$V_{i\min} - V_{i\max}^{3,4}$	$0.95 - 0.98 V_{o1}^2$	2.2 - 0.4	"0"

<sup>1</sup> Threshold level adjustable by potentiometer (not recommended for mobile applications).

<sup>2</sup> Fixed value between 95% and 98% of  $V_{o1}$  (tracking), output undervoltage monitoring is not a requirement of VME standard.

<sup>3</sup> Adjusted at  $I_{o\text{nom}}$ .

<sup>4</sup> Fixed value, resistor-adjusted ( $\pm 2\%$ ) acc. to customer's specifications; individual type designation is determined by Power-One.

### V output (V0, V2, V3):

Connector pin V is internally connected to the open collector of a NPN transistor. The emitter is connected to the negative potential of output 1.  $V_V - 0.6 \text{ V}$  (logic low) corresponds to a monitored voltage level ( $V_i$  and/or  $V_{o1}$ )  $< U_t$ . The current  $I_V$  through the open collector should not exceed 50 mA. The NPN output is not protected against external overvoltages.  $V_V$  should not exceed 80 V.

$V_i, V_{o1}$ status	V output, $V_V$
$V_i$ or $V_{o1} < V_t$	low, L, $V_V - 0.6 \text{ V}$ at $I_V = 50 \text{ mA}$
$V_i$ and $V_{o1} > V_t + V_h$	high, H, $I_V - 25 \mu\text{A}$ at $V_V = 5.1 \text{ V}$

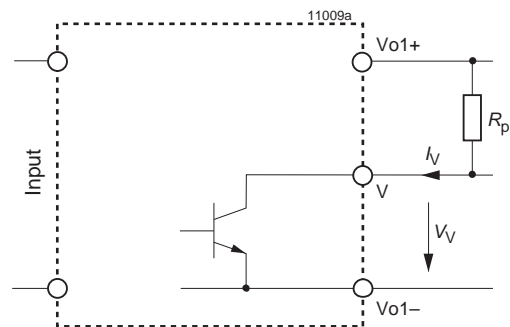
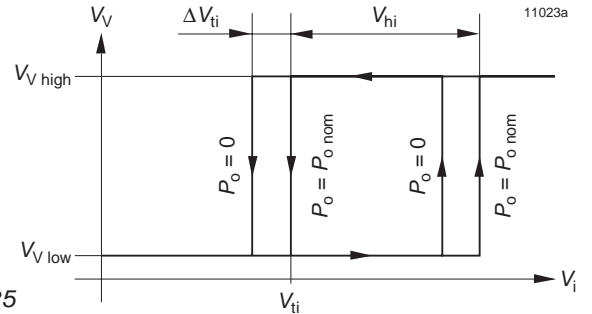


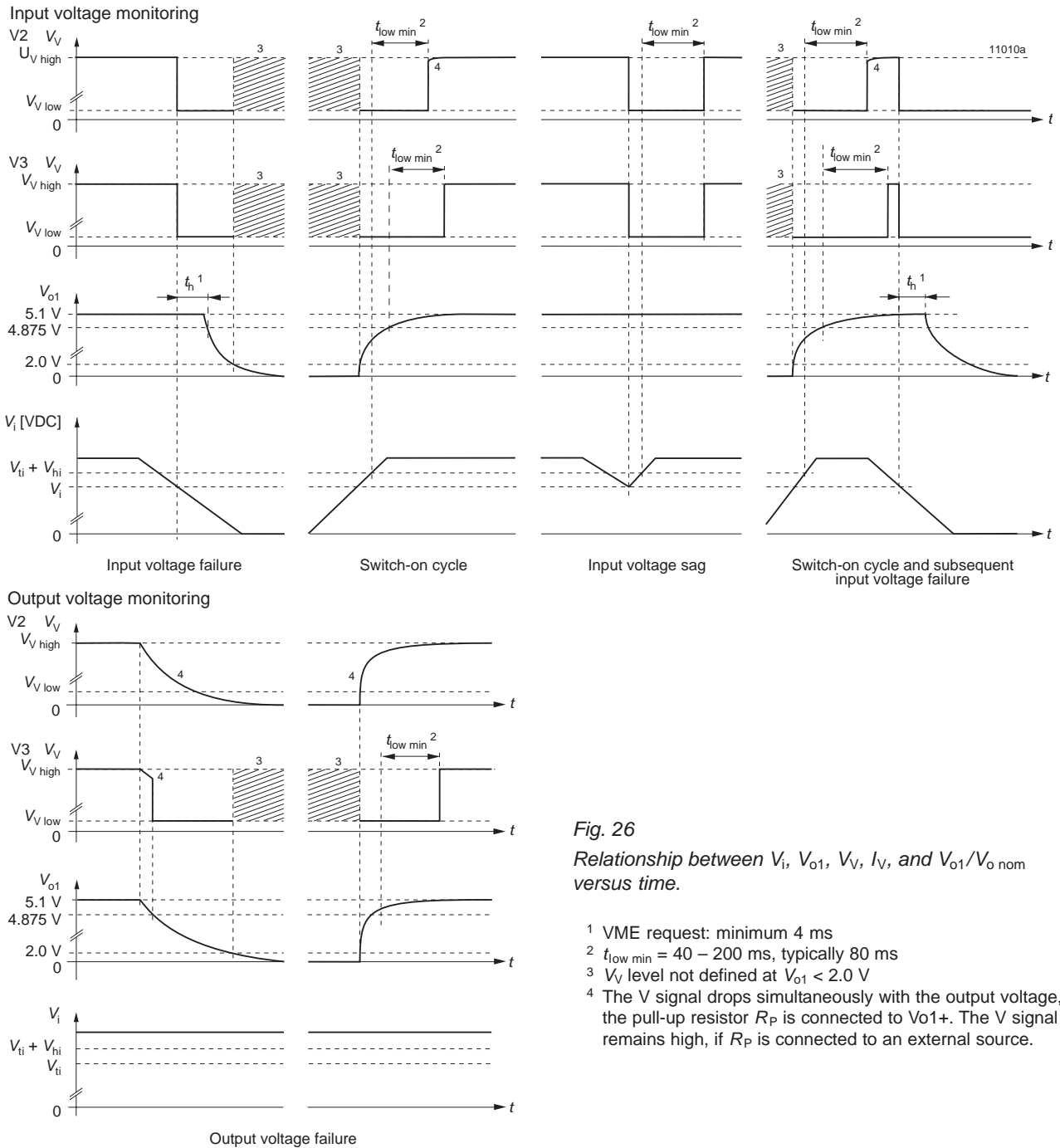
Fig. 24  
Output configuration of options V0, V2, V3

**Threshold tolerances and hysteresis:**

$V_i$  is monitored after the input filter and rectifier (EM and LM models). Consequently, this voltage differs from the voltage at the connector pins by the voltage drop  $\Delta V_{ti}$  across input filter and rectifier. The threshold level of option V0 is factory-adjusted at  $I_{o\ nom}$  and  $T_A = 25\ ^\circ\text{C}$ .  $\Delta V_{ti}$  depends upon the input voltage range (AM, BM, ...), threshold level  $V_{ti}$ , temperature, and input current.



**Fig. 25**  
Definition of  $V_{ti}$ ,  $\Delta V_{ti}$  and  $V_{hi}$



**Fig. 26**  
Relationship between  $V_i$ ,  $V_{o1}$ ,  $V_v$ ,  $I_v$ , and  $V_{o1}/V_{o\ nom}$  versus time.

- <sup>1</sup> VME request: minimum 4 ms
- <sup>2</sup>  $t_{low\ min} = 40 - 200\ ms$ , typically 80 ms
- <sup>3</sup>  $V_v$  level not defined at  $V_{o1} < 2.0\ V$
- <sup>4</sup> The V signal drops simultaneously with the output voltage, if the pull-up resistor  $R_P$  is connected to  $V_{o1+}$ . The V signal remains high, if  $R_P$  is connected to an external source.

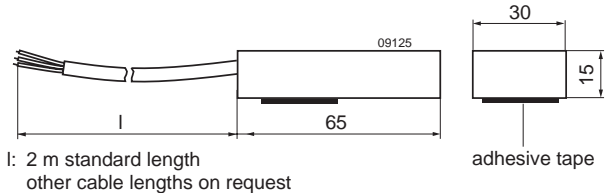
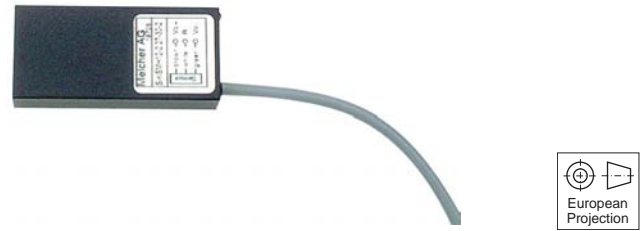


**Accessories**

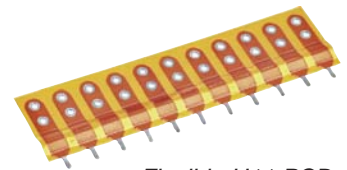
A great variety of electrical and mechanical accessories are available including:

- Various mating H11 connectors STV-H11-xxx including screw, solder, fast-on, or press-fit terminals
- Connector retention clips RETENTIONCLIP(2X) [HZZ01209]
- Code key system for connector coding CODIERKEIL(5X)
- Various front panels for 19" rack mounting, width 8 TE, height 3U and 6U, Schroff or Intermas system.
- Flexible H11 PCB for mounting the converter onto a PCB
- Universal mounting bracket UMB-LHMQ [HZZ00610] for chassis mounting or DIN-rail mounting in upright position.
- DIN-rail mounting brackets DMB-MHQ (horizontal position)
- Mounting plate M (black finish) MOUNTINGPLATEM for mounting the converter to a chassis or a wall, where only frontal access is given
- Battery sensor [S-KSMH...] for using the converter as battery charger. Different cell characteristics can be selected.

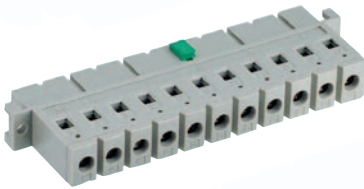
For additional accessory product information, see the accessory data sheets listed with each product series or individual model listing at [www.power-one.com](http://www.power-one.com).



Battery temperature sensor



Flexible H11 PCB



H11 female connector with screw terminals and code key system



Connector retention clip



DIN-rail mounting brackets DMB-MHQ



Mounting plate M (for wall-mounting), connector with fast-on terminals (STV-H11-F/CO), secured with connector retention clips



Universal mounting bracket UMB-LHMQ for DIN-rail mounting.



Different front panels

## EC Declaration of Conformity

---

We

Power-One AG  
Ackerstrasse 56, CH-8610 Uster

---

declare under our sole responsibility that all M and H Series AC-DC and DC-DC converters carrying the CE-mark are in conformity with the provisions of the Low Voltage Directive (LVD) 73/23/EEC of the European Communities.

Conformity with the directive is presumed by conformity with the following harmonized standards:

- EN 61204:1995 (= IEC 61204:1993, modified)  
Low-voltage power supply devices, DC output - Performance characteristics and safety requirements
- IEC 60950-1:2005 (1<sup>st</sup> Edition) and/or EN60950-1:2003  
Safety of information technology equipment.

The installation instructions given in the corresponding data sheet describe correct installation leading to the presumption of conformity of the end product with the LVD. All M and H Series AC-DC and DC-DC converters are components, intended exclusively for inclusion within other equipment by an industrial assembly operation or by professional installers. They must not be operated as stand alone products.

Hence conformity with the Electromagnetic Compatibility Directive 89/336/EEC (EMC Directive) needs not to be declared. Nevertheless, guidance is provided in most product application notes on how conformity of the end product with the indicated EMC standards under the responsibility of the installer can be achieved, from which conformity with the EMC directive can be presumed.

---

Uster, 24 August 2006

Power-One AG



Rolf Baldauf  
Vice President, Engineering



Johann Milavec  
Director Projects and IP